

4

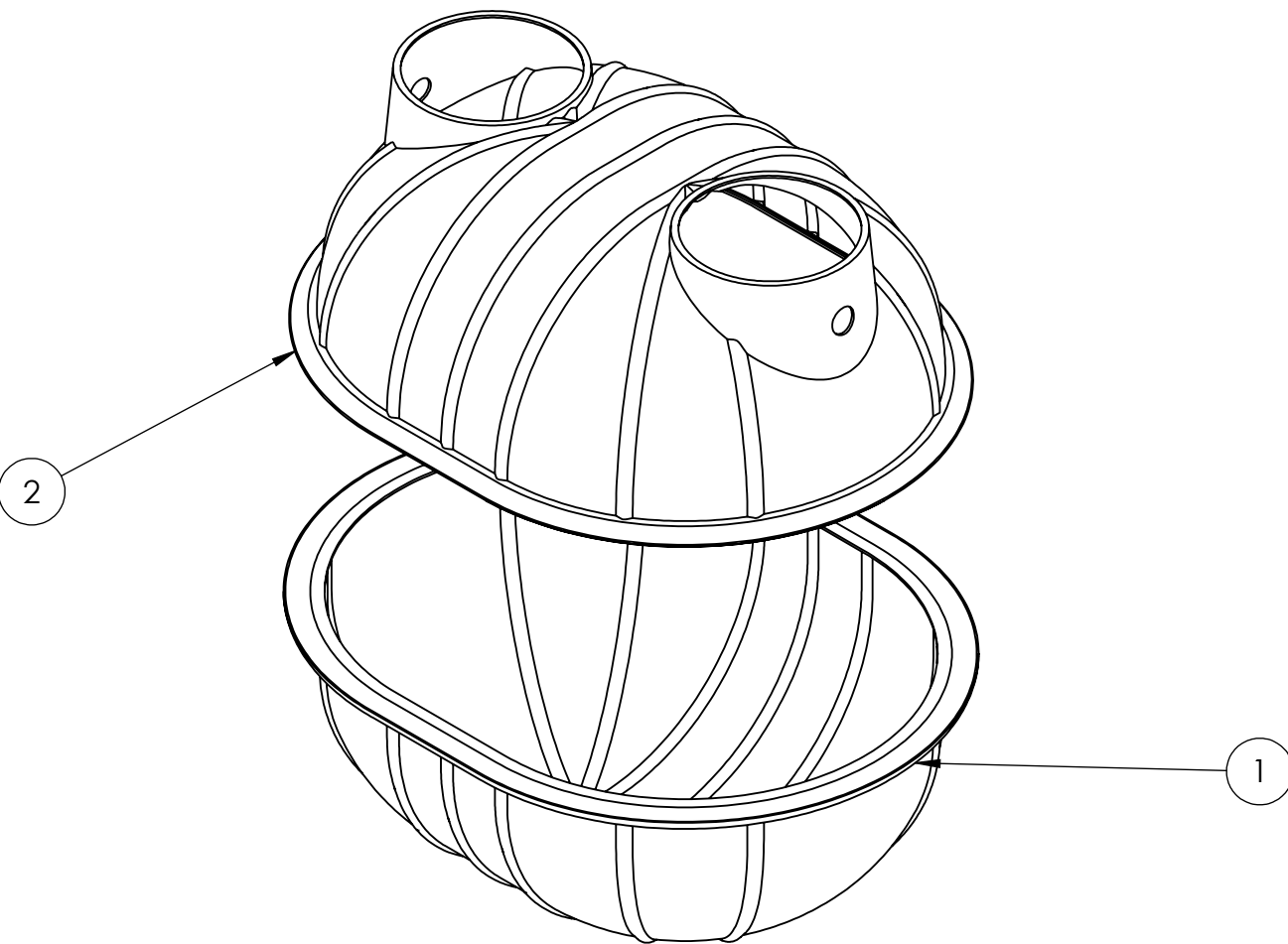
3

2

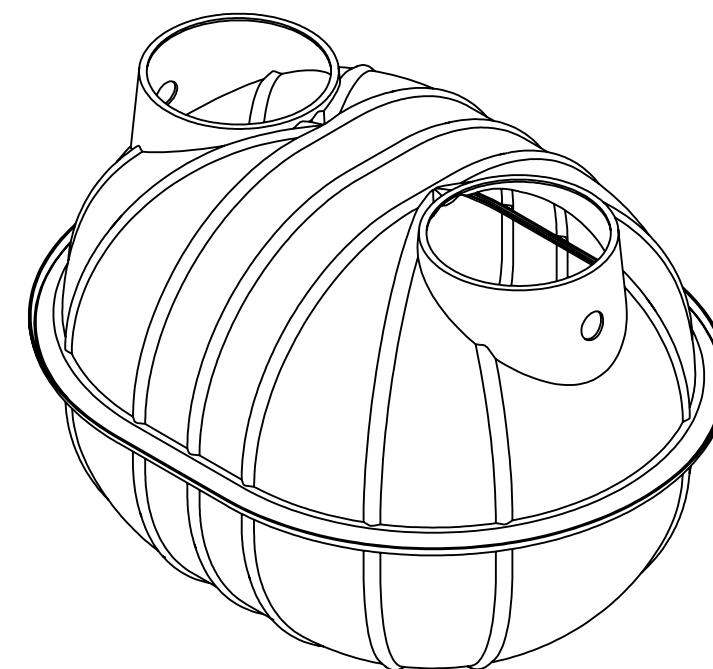
1

ITEM NO.	PART NUMBER	DESCRIPTION	QTY.
1	ALPHA TANK 900 (BTM)		1
2	ALPHA TANK 900 (TOP)		1

B



B



A

A

C4= 0.38 thickness
H2O= 0.50 thickness
Baffle: Optional

PROPRIETARY AND CONFIDENTIAL
 THE INFORMATION CONTAINED IN THIS DRAWING IS THE SOLE PROPERTY OF <INSERT COMPANY NAME HERE>. ANY REPRODUCTION IN PART OR AS A WHOLE WITHOUT THE WRITTEN PERMISSION OF <INSERT COMPANY NAME HERE> IS PROHIBITED.

		UNLESS OTHERWISE SPECIFIED:		NAME	DATE	
		DIMENSIONS ARE IN INCHES				TITLE:
		TOLERANCES:				
		FRACTIONAL ±				
		ANGULAR: MACH ± BEND ±				
		TWO PLACE DECIMAL ±				SIZE DWG. NO. REV
		THREE PLACE DECIMAL ±				
		INTERPRET GEOMETRIC TOLERANCING PER:				B 900 Gallon
		MATERIAL				
		FINISH				SCALE: 1:25 WEIGHT: SHEET 1 OF 3
NEXT ASSY	USED ON					
APPLICATION		DO NOT SCALE DRAWING				

4

3

2

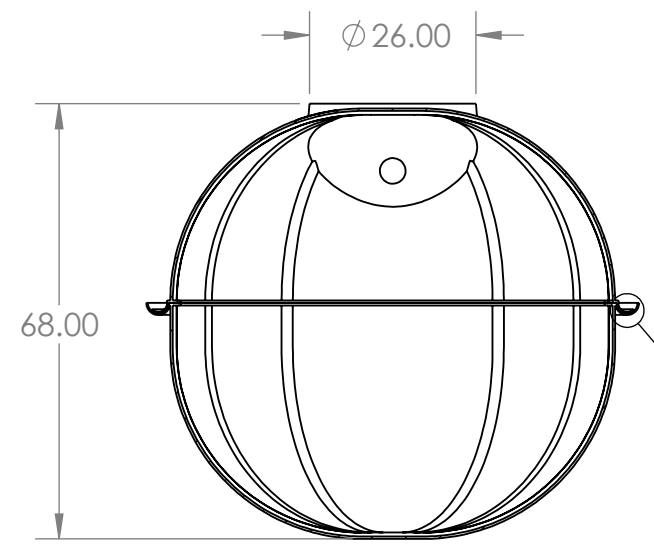
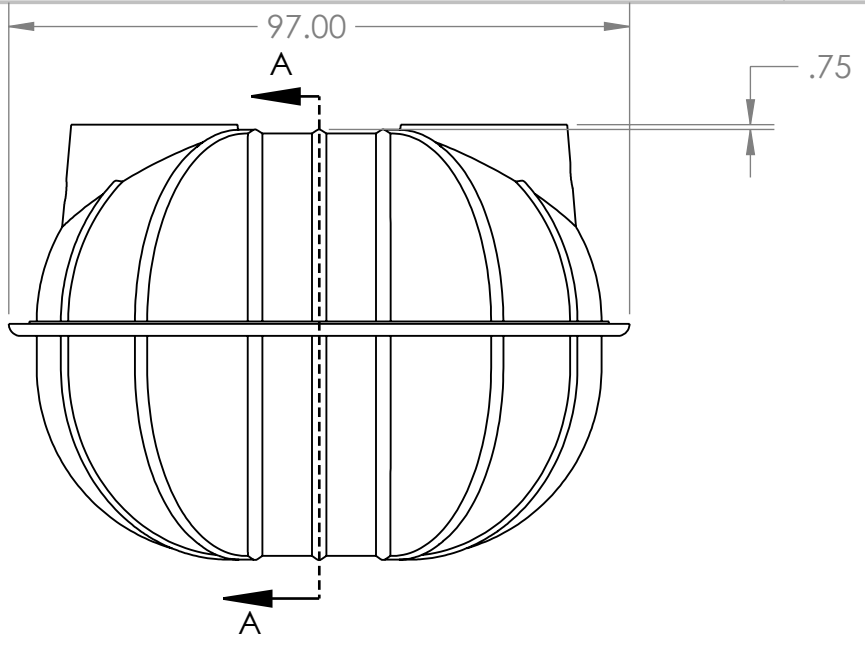
1

4

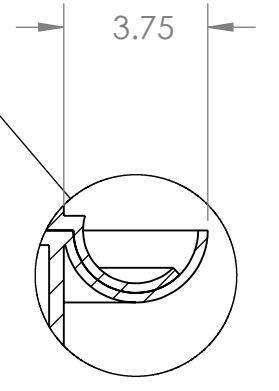
3

2

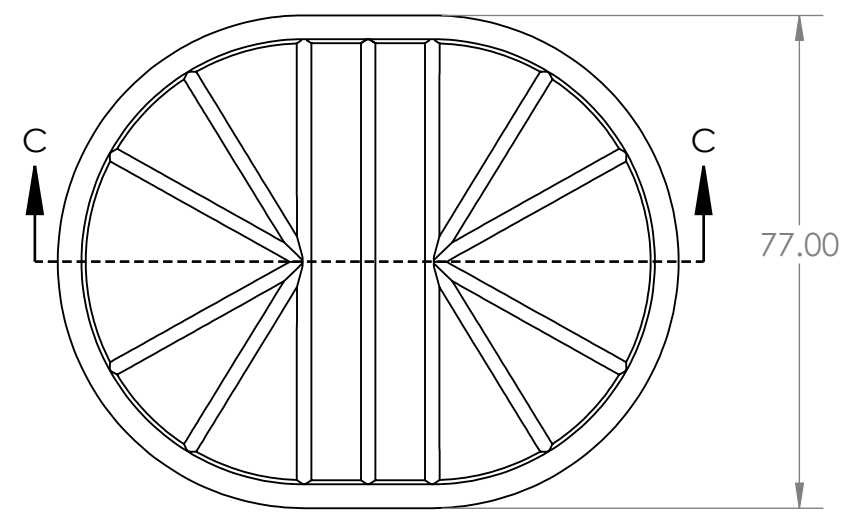
1



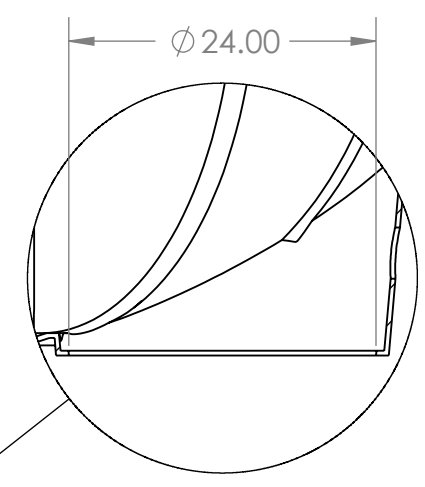
SECTION A-A



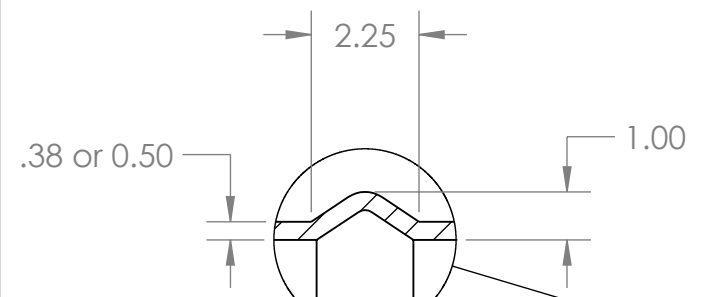
DETAIL B
SCALE 1 : 5



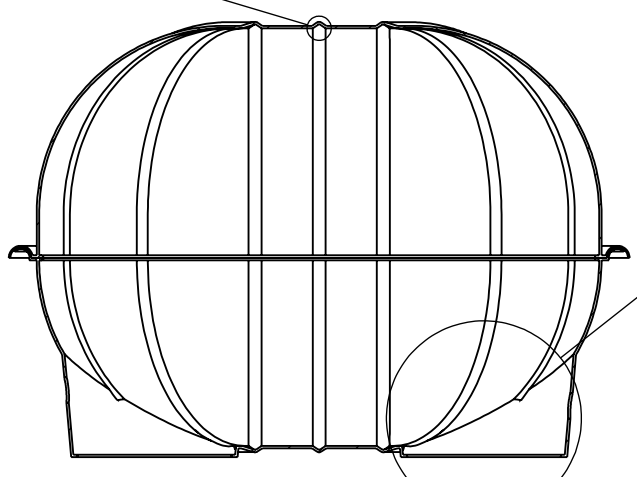
SECTION C-C



DETAIL E
SCALE 1 : 15



DETAIL D
SCALE 1 : 4



		UNLESS OTHERWISE SPECIFIED:		NAME	DATE		
		DIMENSIONS ARE IN INCHES		DRAWN		TITLE:	
		TOLERANCES:		CHECKED			
		FRACTIONAL ±		ENG APPR.			
		ANGULAR: MACH ± BEND ±		MFG APPR.			
		TWO PLACE DECIMAL ±		Q.A.			
		THREE PLACE DECIMAL ±		COMMENTS:			
		INTERPRET GEOMETRIC TOLERANCING PER:				SIZE	DWG. NO.
		MATERIAL				B	900 Gallon
NEXT ASSY	USED ON	FINISH				SCALE: 1:30	WEIGHT:
APPLICATION		DO NOT SCALE DRAWING				SHEET 2 OF 3	
						REV	

4

3

2

1

B

B

A

A

4

3

2

1

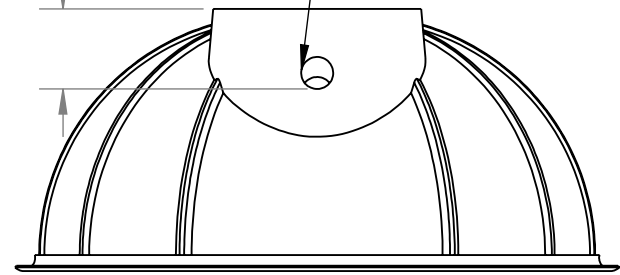
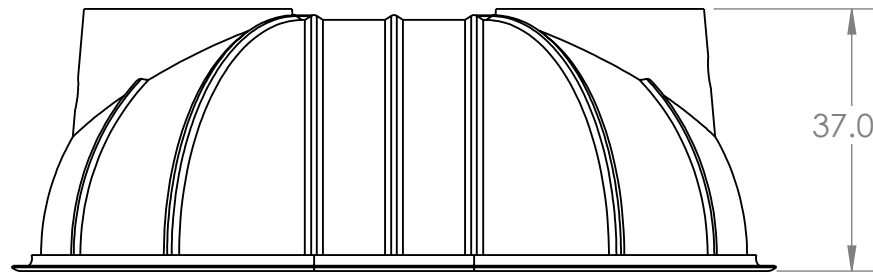
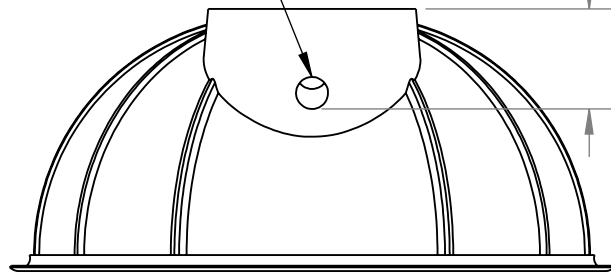
Outlet

Inlet

12.50

37.00

10.00



PROPRIETARY AND CONFIDENTIAL
 THE INFORMATION CONTAINED IN THIS DRAWING IS THE SOLE PROPERTY OF <INSERT COMPANY NAME HERE>. ANY REPRODUCTION IN PART OR AS A WHOLE WITHOUT THE WRITTEN PERMISSION OF <INSERT COMPANY NAME HERE> IS PROHIBITED.

		UNLESS OTHERWISE SPECIFIED:	NAME	DATE	TITLE:
		DIMENSIONS ARE IN INCHES	DRAWN		
		TOLERANCES: FRACTIONAL ±	CHECKED		
		ANGULAR: MACH ± BEND ±	ENG APPR.		
		TWO PLACE DECIMAL ±	MFG APPR.		SIZE DWG. NO. REV
		THREE PLACE DECIMAL ±	Q.A.		
NEXT ASSY	USED ON	INTERPRET GEOMETRIC TOLERANCING PER:	COMMENTS:		SCALE: 1:24 WEIGHT: SHEET 3 OF 3
APPLICATION		MATERIAL			
		FINISH			
		DO NOT SCALE DRAWING			

4

3

2

1

B 900 Gallon