

4

3

2

1

F

F

E

E

D

D

C

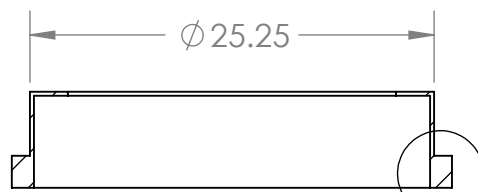
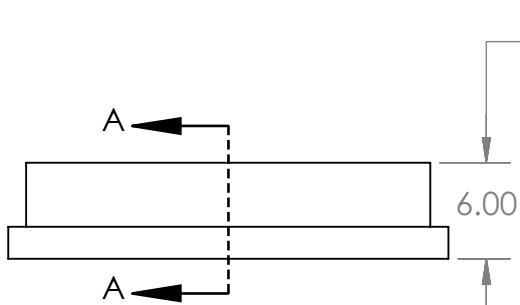
C

B

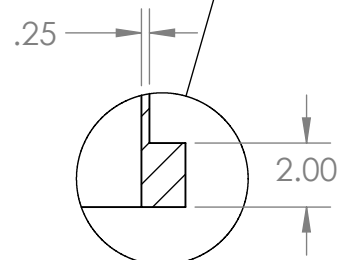
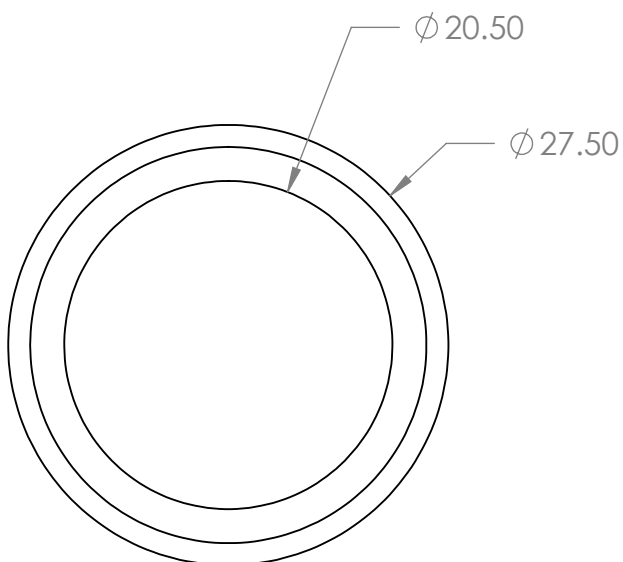
B

A

A



SECTION A-A



DETAIL B
SCALE 1 : 6

Available in the following height configurations: 6", 12", 18", 24", 30", 36", 42", 48".

UNLESS OTHERWISE SPECIFIED: DIMENSIONS ARE IN MILLIMETERS SURFACE FINISH: TOLERANCES: LINEAR: ANGULAR:				FINISH:		DEBURR AND BREAK SHARP EDGES		DO NOT SCALE DRAWING		REVISION	
DRAWN				SIGNATURE		DATE		TITLE:			
CHK'D											
APPV'D											
MFG											
Q.A						MATERIAL:		DWG NO.		A4	
								RISER 6			
						WEIGHT:		SCALE:1:12		SHEET 1 OF 1	

4

3

2

1