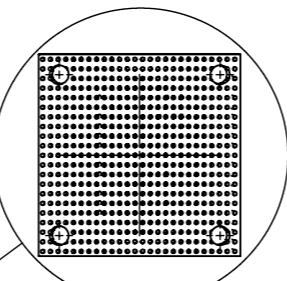
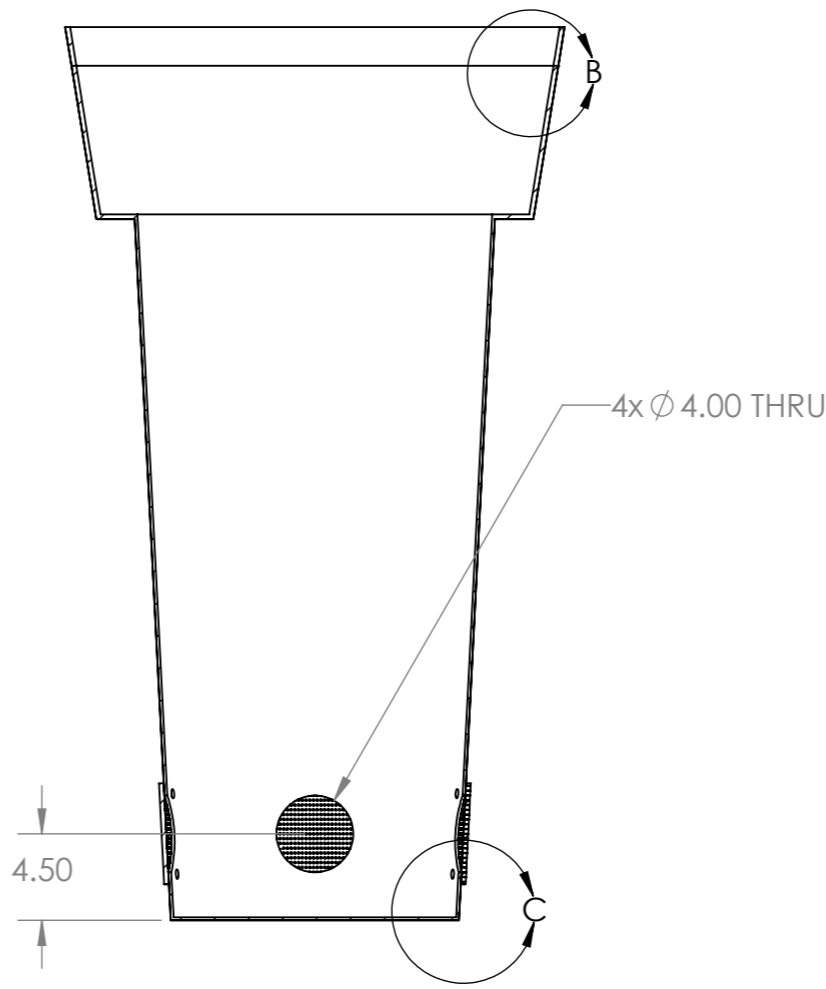


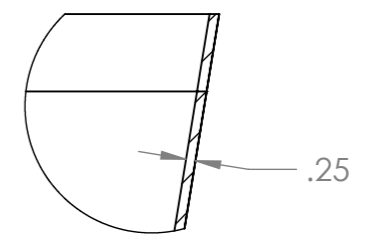
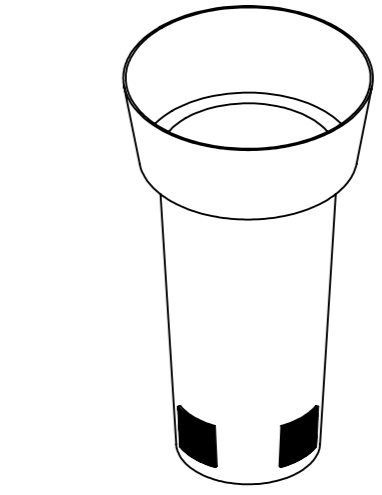
1/4" Mesh Screen



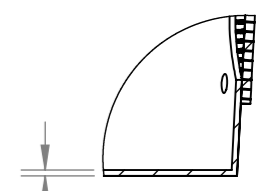
DETAIL D
SCALE 1 : 5



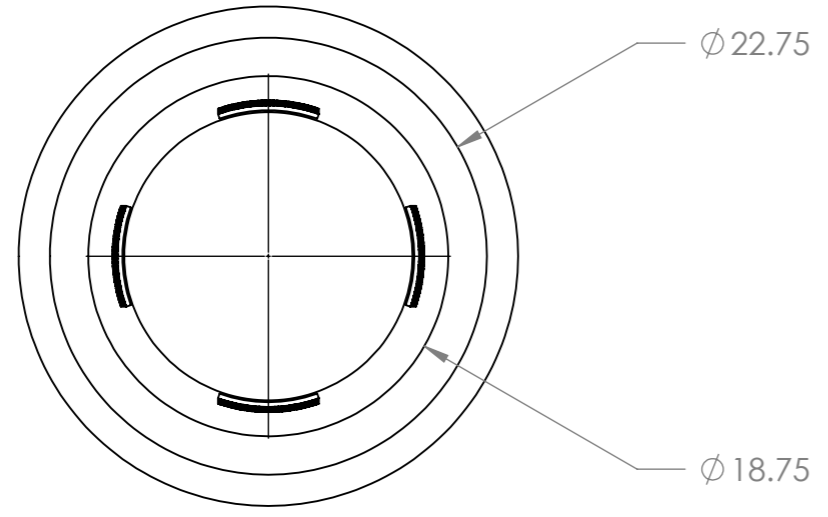
SECTION A-A



DETAIL B
SCALE 1 : 5



DETAIL C
SCALE 1 : 5



| | | | | | | | | | | | |
|---|--|--|--|---------|--|------------------------------------|--|----------------------|--|--------------|--|
| UNLESS OTHERWISE SPECIFIED: DIMENSIONS ARE IN MILLIMETERS SURFACE FINISH: TOLERANCES: LINEAR: ANGULAR: | | | | FINISH: | | DEBURR AND BREAK SHARP EDGES | | DO NOT SCALE DRAWING | | REVISION 0 | |
| DRAWN | | | | NAME | | SIGNATURE | | DATE | | TITLE: | |
| CHK'D | | | | | | | | | | | |
| APPV'D | | | | | | | | | | | |
| MFG | | | | | | | | | | | |
| Q.A | | | | | | | | MATERIAL: | | DWG NO. | |
| | | | | | | | | | | PCICC | |
| | | | | | | | | WEIGHT: | | SCALE:1:10 | |
| | | | | | | | | | | SHEET 1 OF 1 | |
| | | | | | | | | | | A3 | |