

4

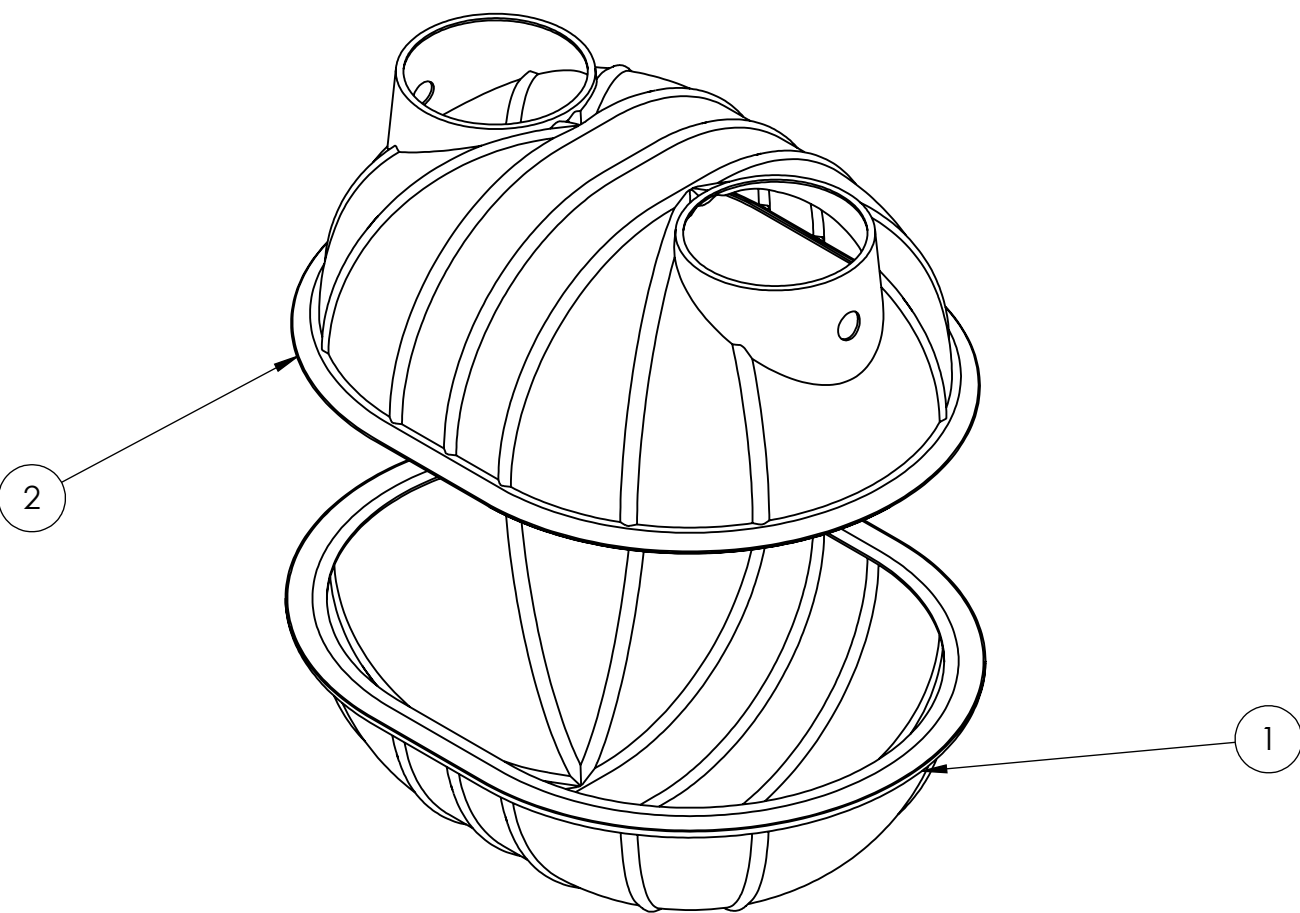
3

2

1

ITEM NO.	PART NUMBER	DESCRIPTION	QTY.
1	ALPHA TANK 900 (BTM)		1
2	ALPHA TANK 900 (TOP)		1

B



B

A

C4= 0.38 thickness
H2O= 0.50 thickness
Baffle: Optional

A

**PROPRIETARY AND CONFIDENTIAL**  
 THE INFORMATION CONTAINED IN THIS DRAWING IS THE SOLE PROPERTY OF <INSERT COMPANY NAME HERE>. ANY REPRODUCTION IN PART OR AS A WHOLE WITHOUT THE WRITTEN PERMISSION OF <INSERT COMPANY NAME HERE> IS PROHIBITED.

		UNLESS OTHERWISE SPECIFIED:		NAME	DATE	
		DIMENSIONS ARE IN INCHES		DRAWN		TITLE:
		TOLERANCES:		CHECKED		
		FRACTIONAL ±		ENG APPR.		
		ANGULAR: MACH ± BEND ±		MFG APPR.		
		TWO PLACE DECIMAL ±		Q.A.		SIZE DWG. NO. REV <b>B 900 Gallon</b>
		THREE PLACE DECIMAL ±		COMMENTS:		
		INTERPRET GEOMETRIC TOLERANCING PER:				SCALE: 1:25 WEIGHT:
		MATERIAL				SHEET 1 OF 3
		FINISH				
NEXT ASSY	USED ON					
APPLICATION		DO NOT SCALE DRAWING				

4

3

2

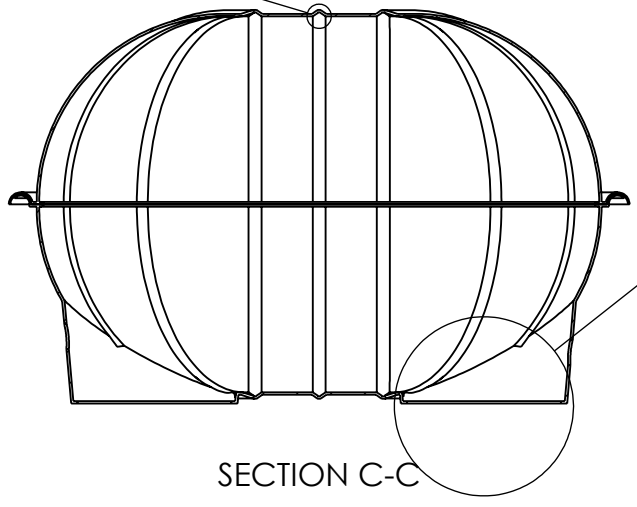
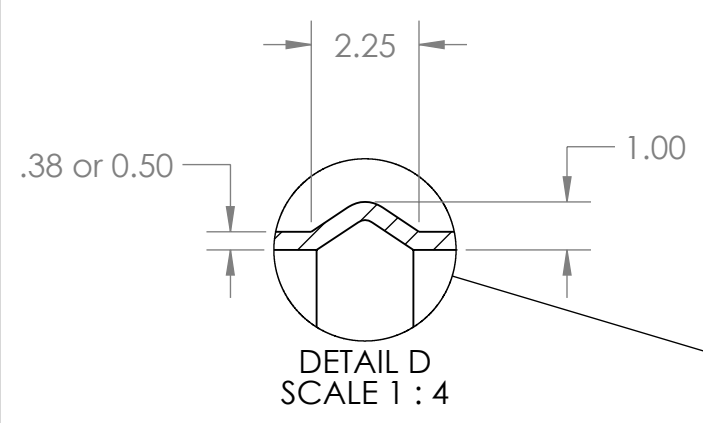
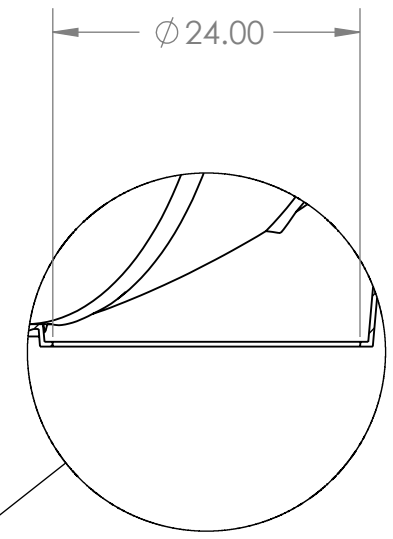
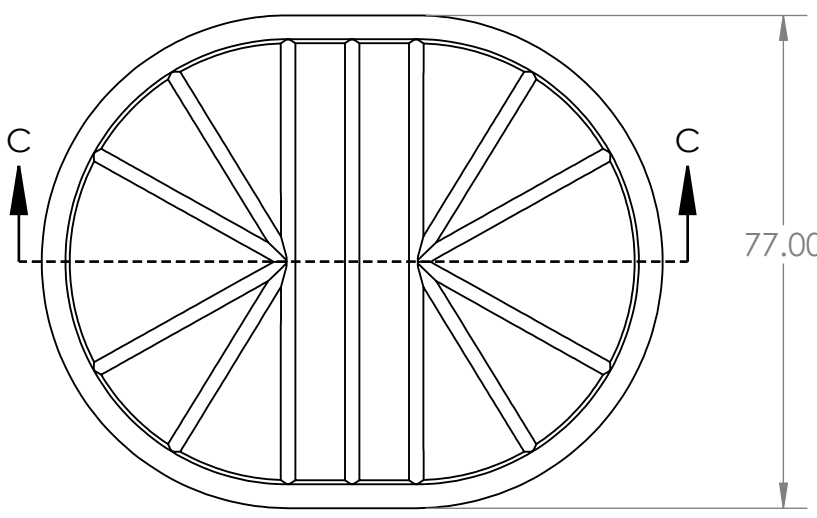
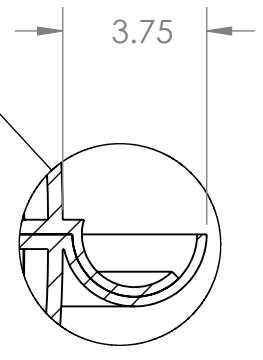
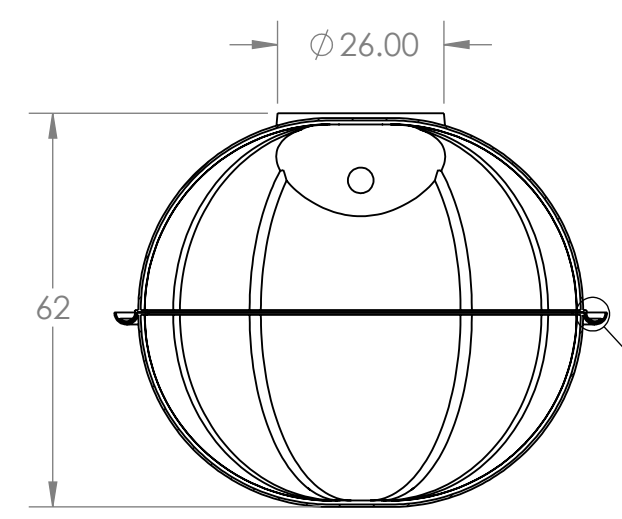
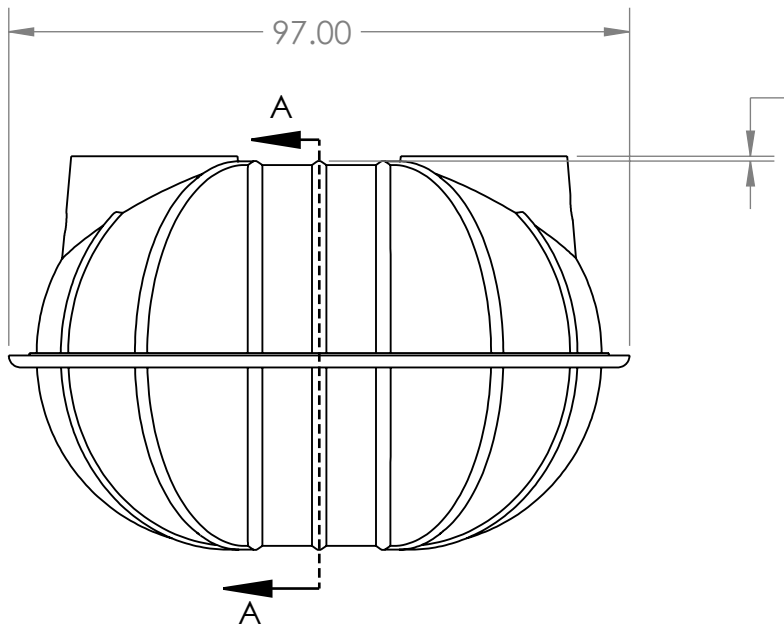
1

4

3

2

1



		UNLESS OTHERWISE SPECIFIED:	NAME	DATE			
		DIMENSIONS ARE IN INCHES	DRAWN		TITLE:		
		TOLERANCES:	CHECKED				
		FRACTIONAL: ±	ENG APPR.				
		ANGULAR: MACH ± BEND ±	MFG APPR.				
		TWO PLACE DECIMAL ±	Q.A.		SIZE	DWG. NO.	REV
		THREE PLACE DECIMAL ±	COMMENTS:		<b>B</b>	<b>900 Gallon</b>	
		INTERPRET GEOMETRIC TOLERANCING PER:			SCALE: 1:30	WEIGHT:	SHEET 2 OF 3
		MATERIAL					
NEXT ASSY	USED ON	FINISH					
APPLICATION		DO NOT SCALE DRAWING					

4

3

2

1

B

B

A

A

4

3

2

1

Outlet

Inlet

12.50

10.00

37.00

B

B

A

A

**PROPRIETARY AND CONFIDENTIAL**  
 THE INFORMATION CONTAINED IN THIS DRAWING IS THE SOLE PROPERTY OF <INSERT COMPANY NAME HERE>. ANY REPRODUCTION IN PART OR AS A WHOLE WITHOUT THE WRITTEN PERMISSION OF <INSERT COMPANY NAME HERE> IS PROHIBITED.

		UNLESS OTHERWISE SPECIFIED:		NAME	DATE	TITLE:
		DIMENSIONS ARE IN INCHES	DRAWN			
		TOLERANCES: FRACTIONAL ±	CHECKED			
		ANGULAR: MACH ± BEND ± TWO PLACE DECIMAL ± THREE PLACE DECIMAL ±	ENG APPR.			
		INTERPRET GEOMETRIC TOLERANCING PER:	MFG APPR.			SIZE DWG. NO. REV <b>B 900 Gallon</b>
		MATERIAL	Q.A.			
NEXT ASSY	USED ON	FINISH	COMMENTS:			SCALE: 1:24 WEIGHT:
APPLICATION		DO NOT SCALE DRAWING				SHEET 3 OF 3

4

3

2

1