

4

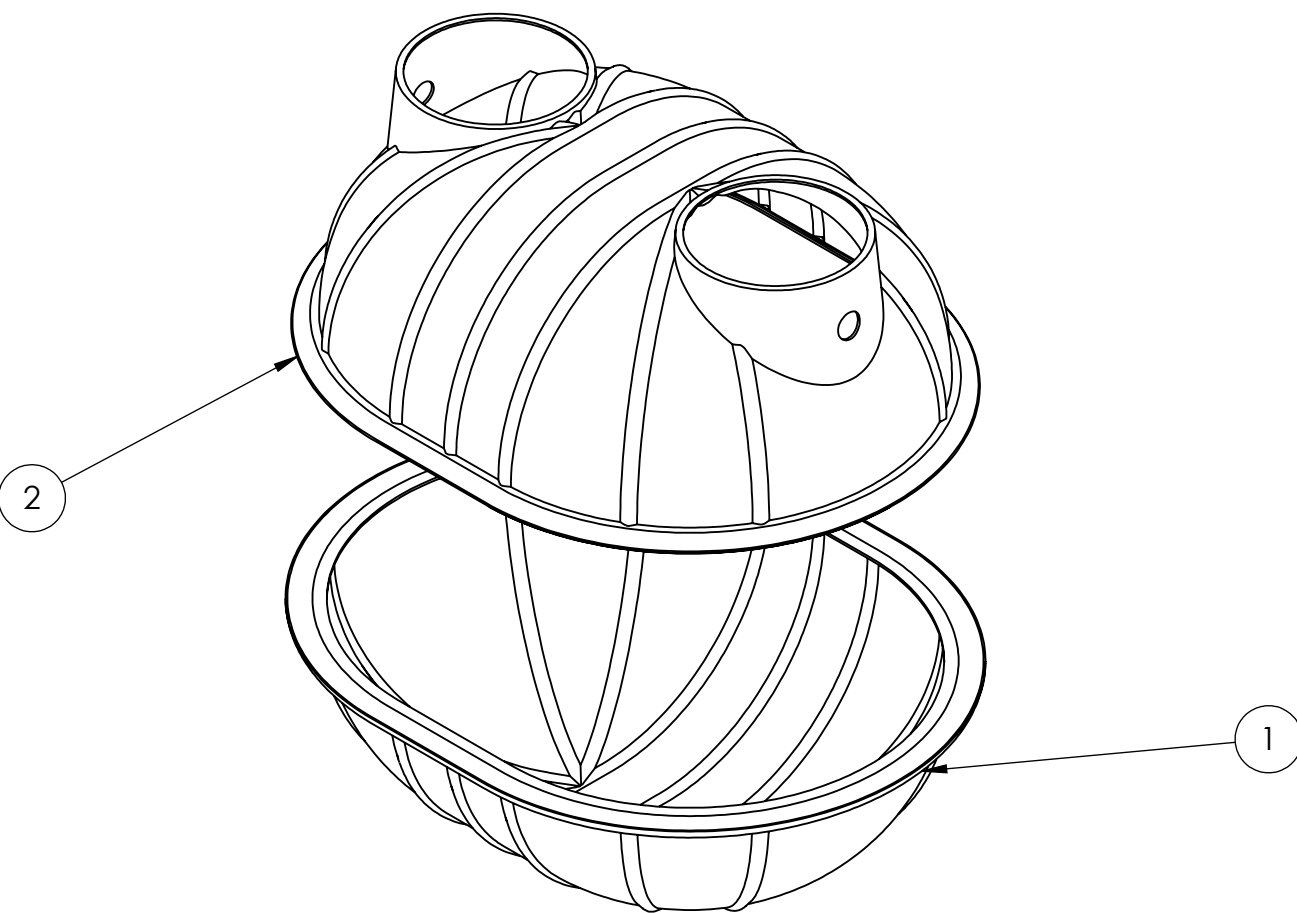
3

2

1

ITEM NO.	PART NUMBER	DESCRIPTION	QTY.
1	ALPHA TANK 750 (BTM)		1
2	ALPHA TANK 750 (TOP)		1

B



B

A

C4= 0.38 thickness
H2O= 0.50 thickness
Baffle: Optional

A

PROPRIETARY AND CONFIDENTIAL
 THE INFORMATION CONTAINED IN THIS DRAWING IS THE SOLE PROPERTY OF <INSERT COMPANY NAME HERE>. ANY REPRODUCTION IN PART OR AS A WHOLE WITHOUT THE WRITTEN PERMISSION OF <INSERT COMPANY NAME HERE> IS PROHIBITED.

UNLESS OTHERWISE SPECIFIED:		NAME	DATE
DIMENSIONS ARE IN INCHES		DRAWN	
TOLERANCES:		CHECKED	
FRACTIONAL ±		ENG APPR.	
ANGULAR: MACH ± BEND ±		MFG APPR.	
TWO PLACE DECIMAL ±		Q.A.	
THREE PLACE DECIMAL ±		COMMENTS:	
INTERPRET GEOMETRIC TOLERANCING PER:			
MATERIAL			
NEXT ASSY	USED ON		
FINISH			
APPLICATION			
DO NOT SCALE DRAWING			

TITLE:		SIZE	DWG. NO.	REV
		B	750 Gallon	
SCALE: 1:25		WEIGHT:	SHEET 1 OF 3	

4

3

2

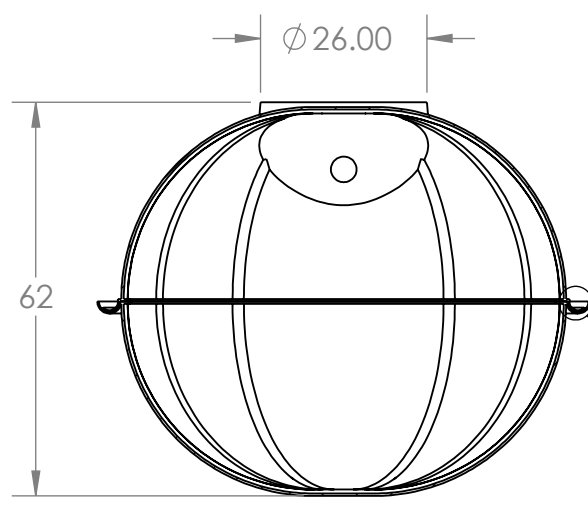
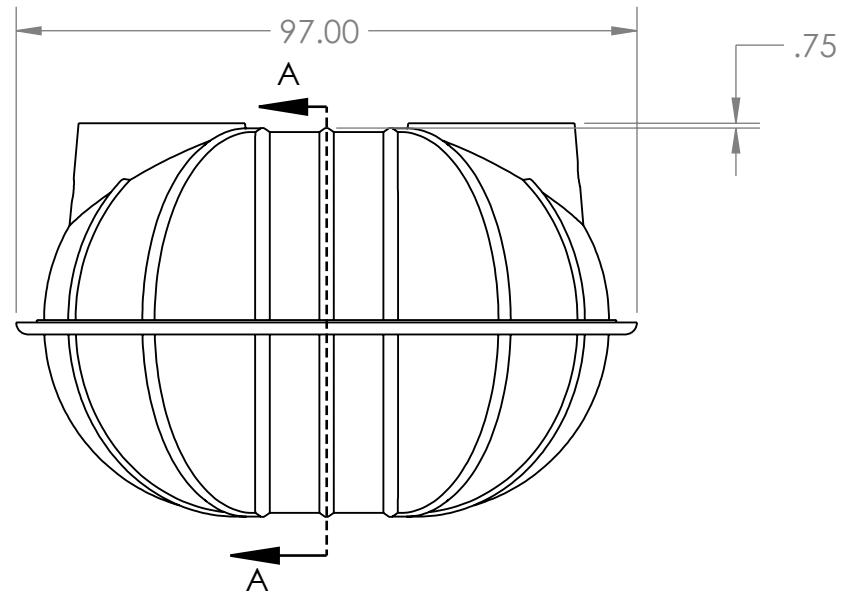
1

4

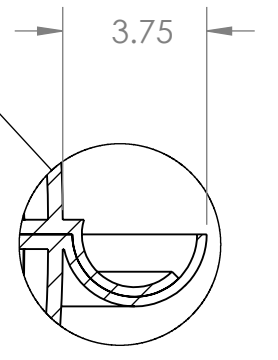
3

2

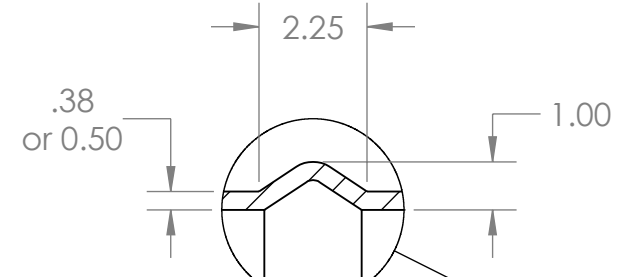
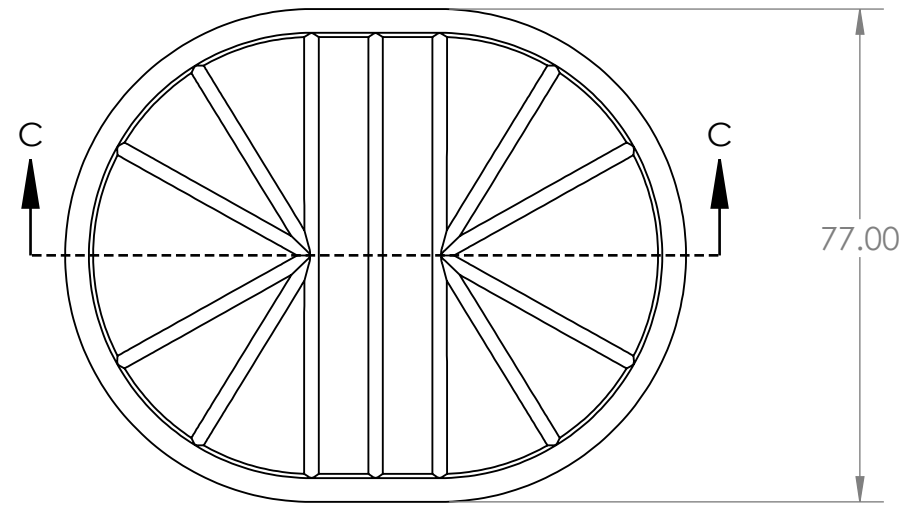
1



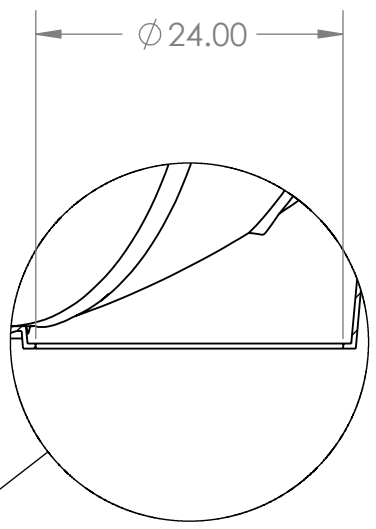
SECTION A-A



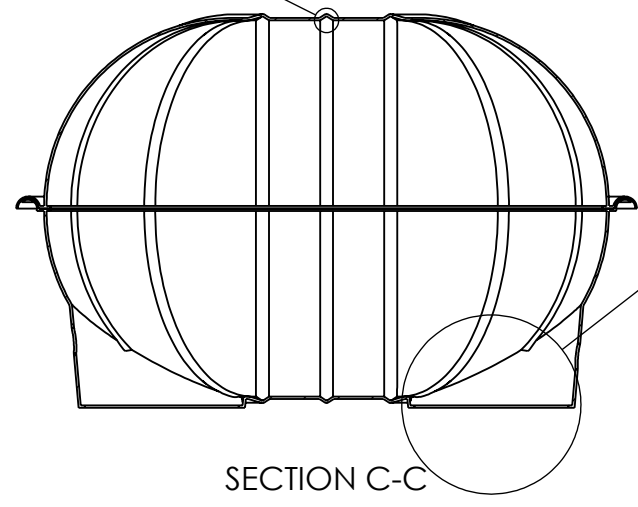
DETAIL B
SCALE 1 : 5



DETAIL D
SCALE 1 : 4



DETAIL E
SCALE 1 : 15



SECTION C-C

		UNLESS OTHERWISE SPECIFIED:	NAME	DATE				
		DIMENSIONS ARE IN INCHES	DRAWN		TITLE:			
		TOLERANCES:	CHECKED					
		FRACTIONAL \pm	ENG APPR.					
		ANGULAR: MACH \pm BEND \pm	MFG APPR.					
		TWO PLACE DECIMAL \pm	Q.A.					
		THREE PLACE DECIMAL \pm	COMMENTS:					
		INTERPRET GEOMETRIC TOLERANCING PER:				SIZE	DWG. NO.	REV
		MATERIAL				B	750 Gallon	
NEXT ASSY	USED ON	FINISH				SCALE: 1:30	WEIGHT:	SHEET 2 OF 3
APPLICATION		DO NOT SCALE DRAWING						

4

3

2

1

B

B

A

A

4

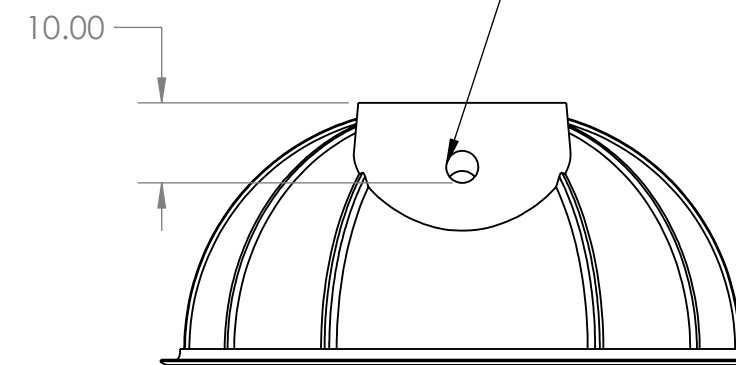
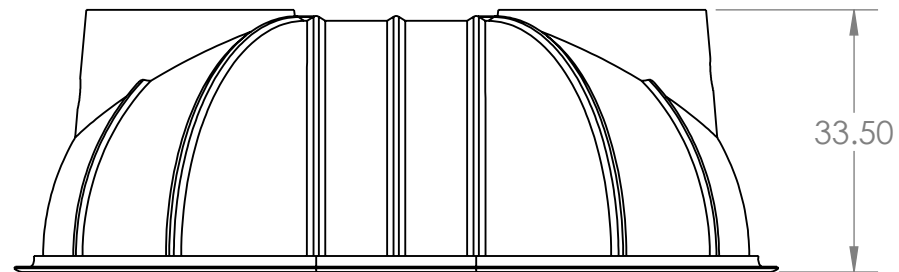
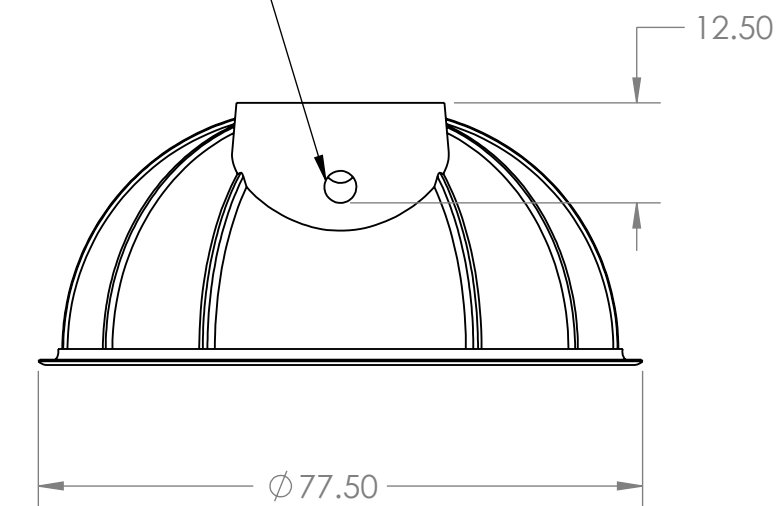
3

2

1

Outlet

Inlet



PROPRIETARY AND CONFIDENTIAL
 THE INFORMATION CONTAINED IN THIS DRAWING IS THE SOLE PROPERTY OF <INSERT COMPANY NAME HERE>. ANY REPRODUCTION IN PART OR AS A WHOLE WITHOUT THE WRITTEN PERMISSION OF <INSERT COMPANY NAME HERE> IS PROHIBITED.

		UNLESS OTHERWISE SPECIFIED:	NAME	DATE	TITLE:
		DIMENSIONS ARE IN INCHES	DRAWN		
		TOLERANCES:	CHECKED		
		FRACTIONAL ±	ENG APPR.		
		ANGULAR: MACH ± BEND ±	MFG APPR.		SIZE DWG. NO. REV
		TWO PLACE DECIMAL ±	Q.A.		
		THREE PLACE DECIMAL ±	COMMENTS:		B 750 Gallon
INTERPRET GEOMETRIC TOLERANCING PER:	MATERIAL	FINISH			
NEXT ASSY	USED ON	APPLICATION	DO NOT SCALE DRAWING		SCALE: 1:24 WEIGHT: SHEET 3 OF 3

4

3

2

1

A

A