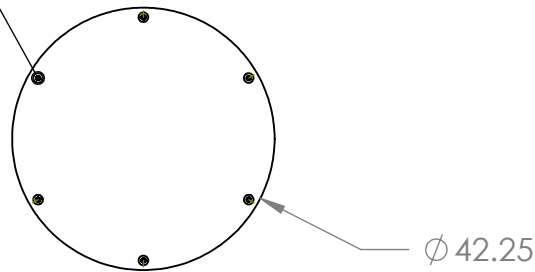
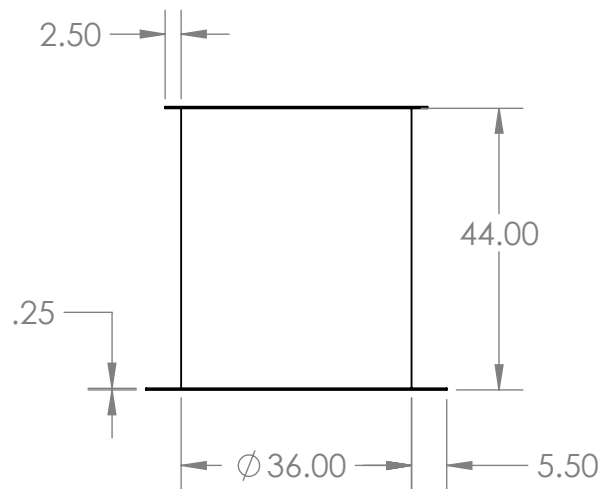
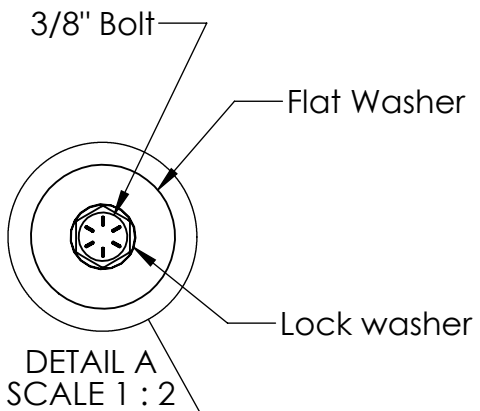
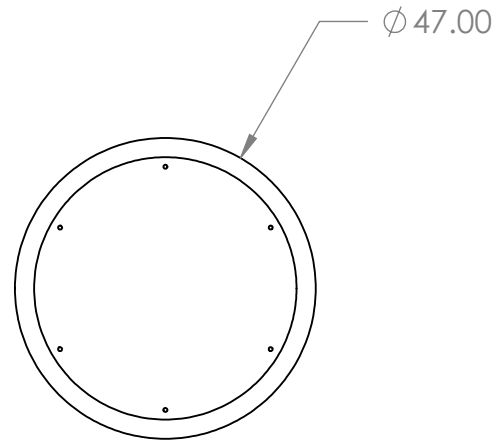


2

1

B

B



Lid

### 36x44 Basin with lid

A

A

|             |         |   |  |              |          |
|-------------|---------|---|--|--------------|----------|
|             |         | DIMENSIONS ARE IN INCHES<br>TOLERANCES:<br>FRACTIONAL $\pm$<br>ANGULAR: MACH $\pm$ BEND $\pm$<br>TWO PLACE DECIMAL $\pm$<br>THREE PLACE DECIMAL $\pm$ |  | NAME         | DATE     |
|             |         | MATERIAL  |  | DRAWN        |          |
|             |         | FINISH  |  | CHECKED      |          |
| NEXT ASSY   | USED ON |   |  | ENG APPR.    |          |
| APPLICATION |         | DO NOT SCALE DRAWING  |  | MFG APPR.    |          |
|             |         |   |  | Q.A.         |          |
|             |         |   |  | COMMENTS:    |          |
|             |         |   |  | SIZE         | DWG. NO. |
|             |         |   |  | <b>A</b>     | 36X44B   |
|             |         |   |  | SCALE:1:30   | WEIGHT:  |
|             |         |   |  | REV.         |          |
|             |         |   |  | SHEET 1 OF 1 |          |

**PROPRIETARY AND CONFIDENTIAL**  
THE INFORMATION CONTAINED IN THIS DRAWING IS THE SOLE PROPERTY OF <COMPANY NAME>. ANY REPRODUCTION IN PART OR AS A WHOLE WITHOUT THE WRITTEN PERMISSION OF <COMPANY NAME> IS PROHIBITED.

2

1