

4

3

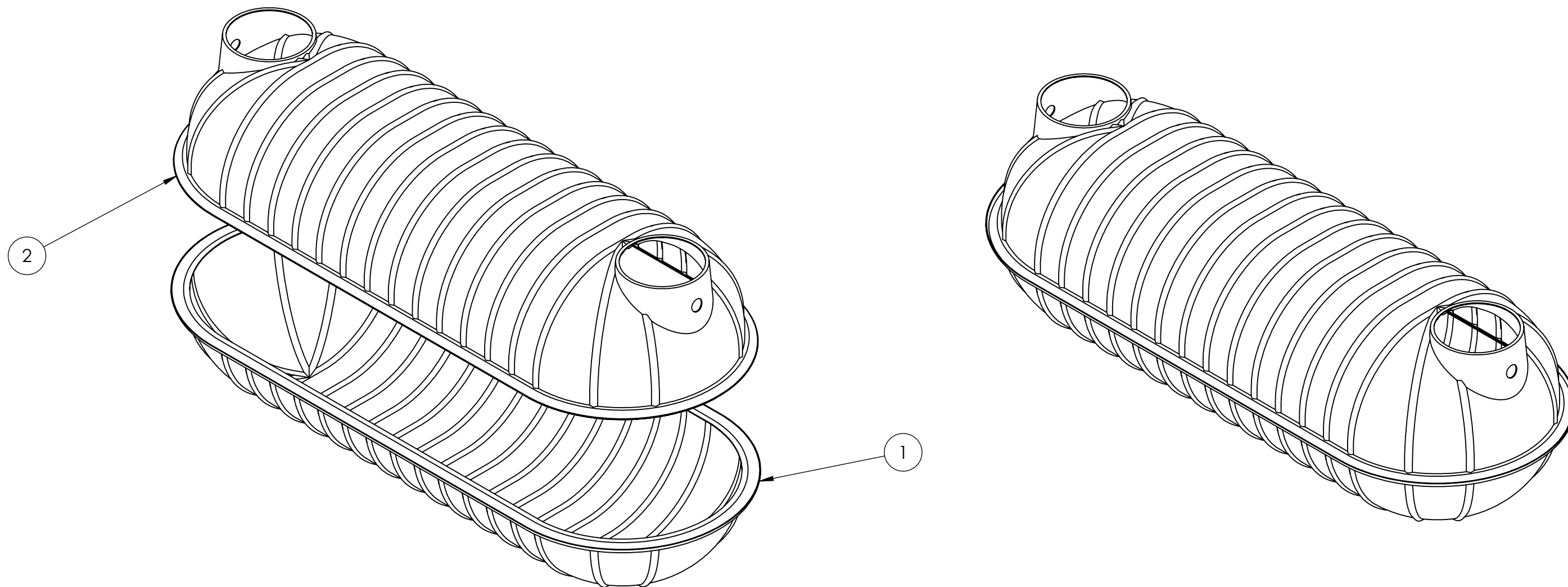
2

1

ITEM NO.	PART NUMBER	DESCRIPTION	QTY.
1	ALPHA TANK 2200 (BTM)		1
2	ALPHA TANK 2200 (TOP)		1

B

B



A

A

C3= 0.25 thickness

---

Baffle: Optional

**PROPRIETARY AND CONFIDENTIAL**  
 THE INFORMATION CONTAINED IN THIS DRAWING IS THE SOLE PROPERTY OF <INSERT COMPANY NAME HERE>. ANY REPRODUCTION IN PART OR AS A WHOLE WITHOUT THE WRITTEN PERMISSION OF <INSERT COMPANY NAME HERE> IS PROHIBITED.

UNLESS OTHERWISE SPECIFIED:		NAME	DATE
DIMENSIONS ARE IN INCHES		DRAWN	
TOLERANCES:		CHECKED	
FRACTIONAL ±		ENG APPR.	
ANGULAR: MACH ± BEND ±		MFG APPR.	
TWO PLACE DECIMAL ±		Q.A.	
THREE PLACE DECIMAL ±		COMMENTS:	
INTERPRET GEOMETRIC TOLERANCING PER:			
MATERIAL			
NEXT ASSY	USED ON		
FINISH			
APPLICATION			
DO NOT SCALE DRAWING			

TITLE:		
SIZE	DWG. NO.	REV
<b>B</b>	2200 Gallon	
SCALE: 1:30	WEIGHT:	SHEET 1 OF 3

4

3

2

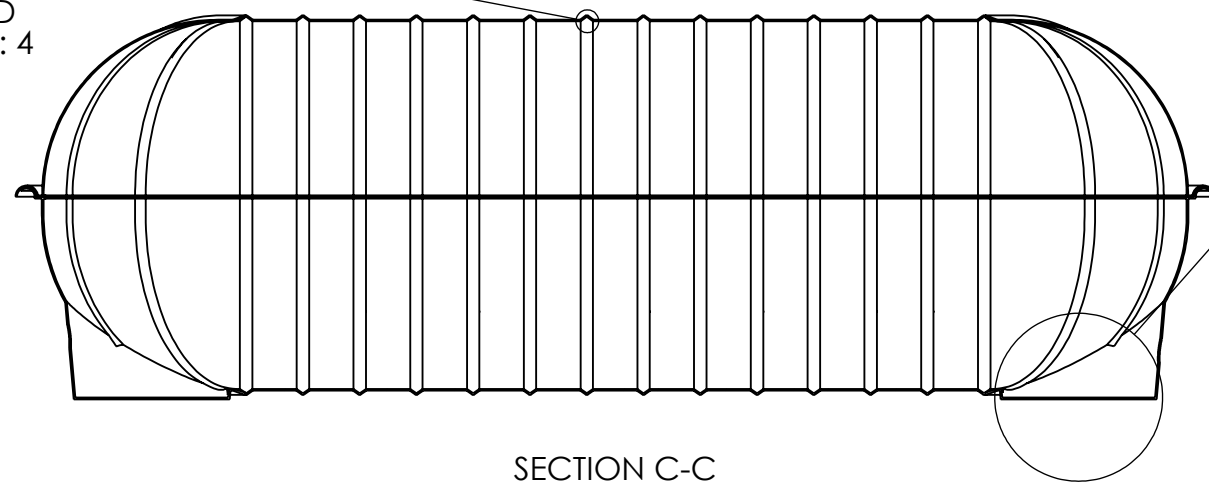
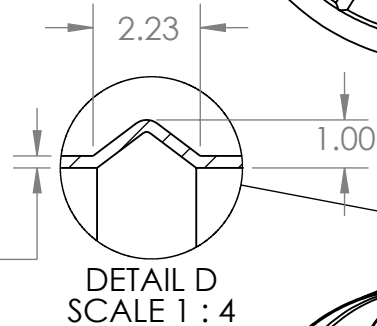
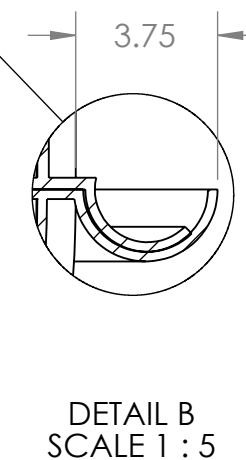
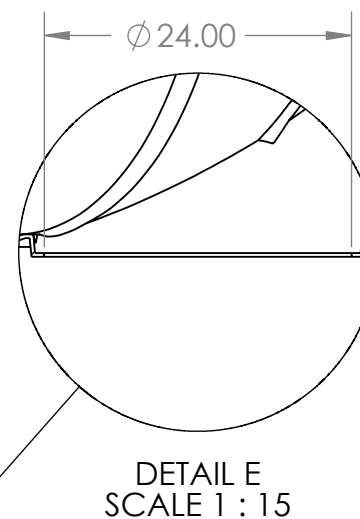
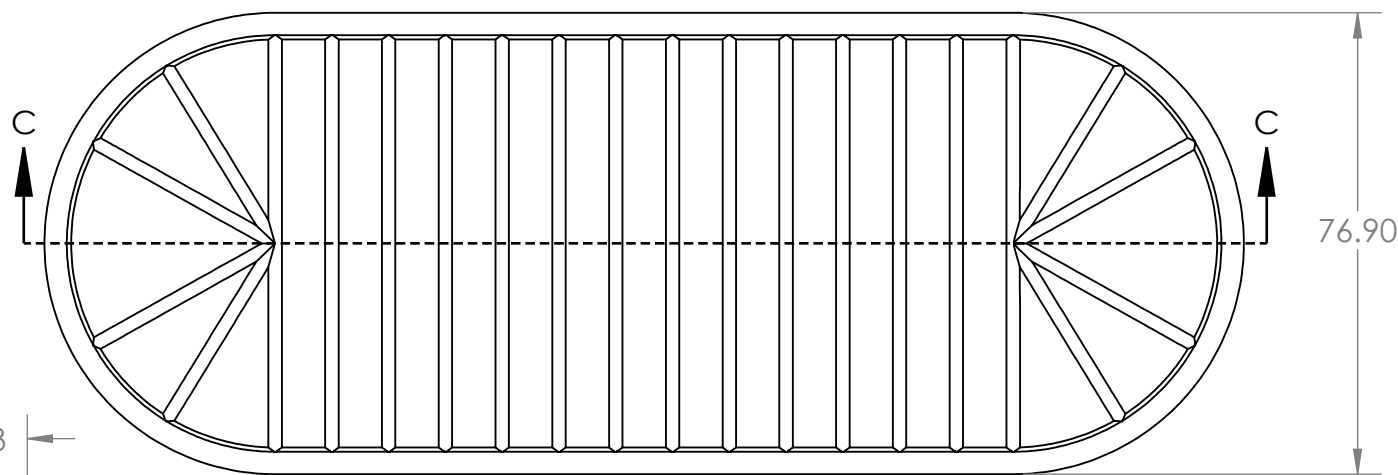
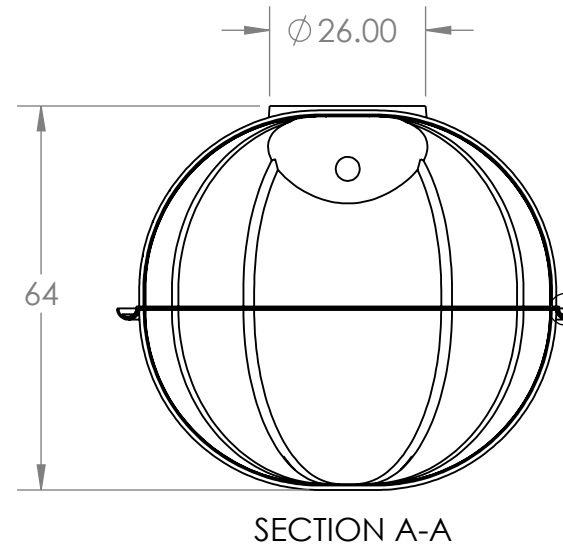
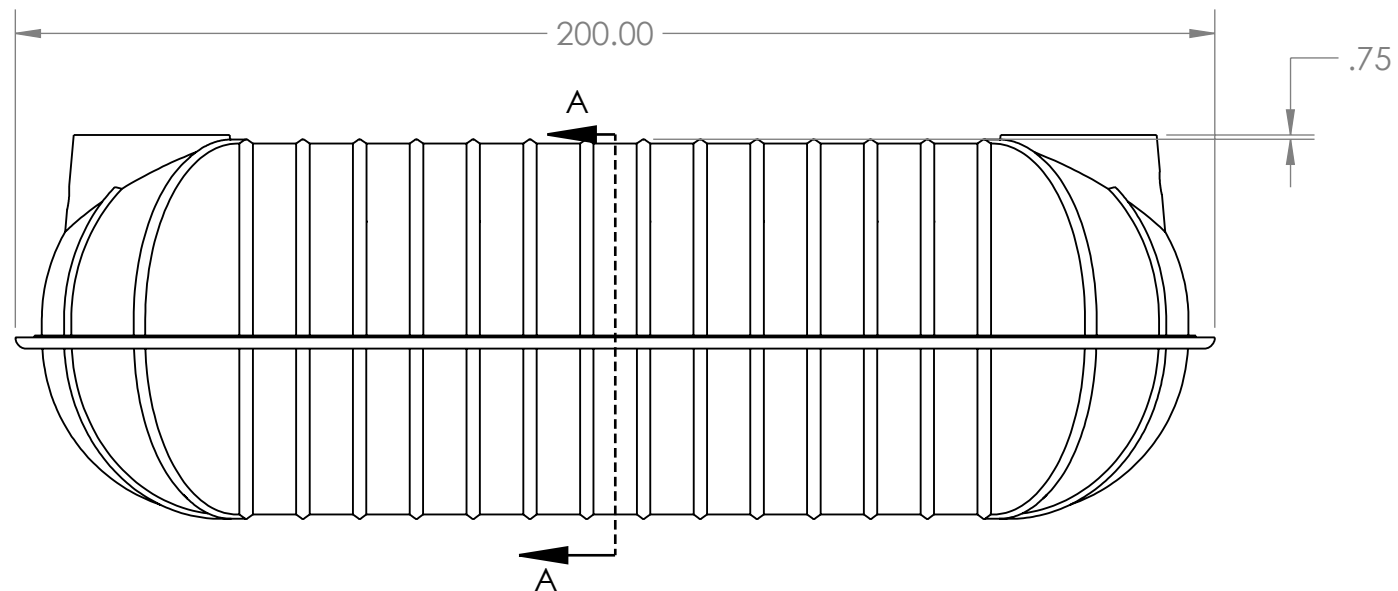
1

4

3

2

1



		UNLESS OTHERWISE SPECIFIED:		NAME	DATE		
		DIMENSIONS ARE IN INCHES		DRAWN		TITLE:	
		TOLERANCES:		CHECKED			
		FRACTIONAL $\pm$		ENG APPR.			
		ANGULAR: MACH $\pm$ BEND $\pm$		MFG APPR.			
		TWO PLACE DECIMAL $\pm$		Q.A.			
		THREE PLACE DECIMAL $\pm$		COMMENTS:			
		INTERPRET GEOMETRIC TOLERANCING PER:				SIZE	DWG. NO.
		MATERIAL				<b>B</b>	2200 Gallon
		FINISH				REV	
NEXT ASSY	USED ON	DO NOT SCALE DRAWING				SCALE: 1:32	WEIGHT:
APPLICATION							SHEET 2 OF 3

4

3

2

1

B

B

A

A

4

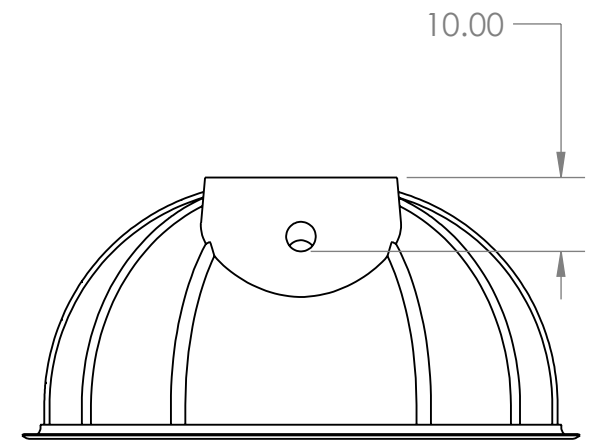
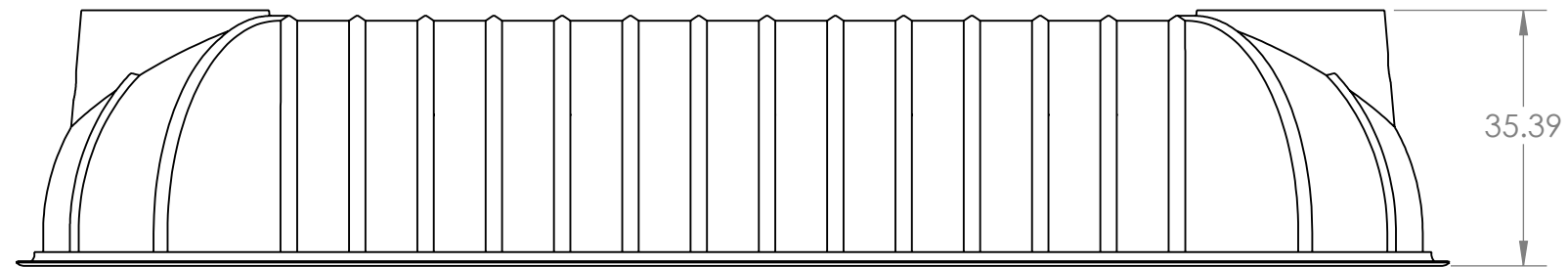
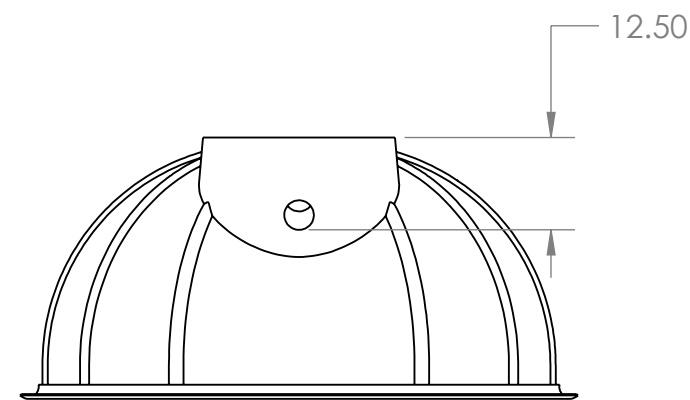
3

2

1

B

B



A

A

**PROPRIETARY AND CONFIDENTIAL**  
 THE INFORMATION CONTAINED IN THIS DRAWING IS THE SOLE PROPERTY OF <INSERT COMPANY NAME HERE>. ANY REPRODUCTION IN PART OR AS A WHOLE WITHOUT THE WRITTEN PERMISSION OF <INSERT COMPANY NAME HERE> IS PROHIBITED.

		UNLESS OTHERWISE SPECIFIED:		NAME	DATE	TITLE:
		DIMENSIONS ARE IN INCHES	DRAWN			
		TOLERANCES:	CHECKED			
		FRACTIONAL ±	ENG APPR.			
		ANGULAR: MACH ± BEND ±	MFG APPR.			
		TWO PLACE DECIMAL ±	Q.A.			SIZE DWG. NO. REV <b>B</b> 2200 Gallon
		THREE PLACE DECIMAL ±	COMMENTS:			
		INTERPRET GEOMETRIC TOLERANCING PER:				SCALE: 1:26 WEIGHT:
		MATERIAL				SHEET 3 OF 3
		FINISH				
NEXT ASSY	USED ON					
APPLICATION		DO NOT SCALE DRAWING				

4

3

2

1