

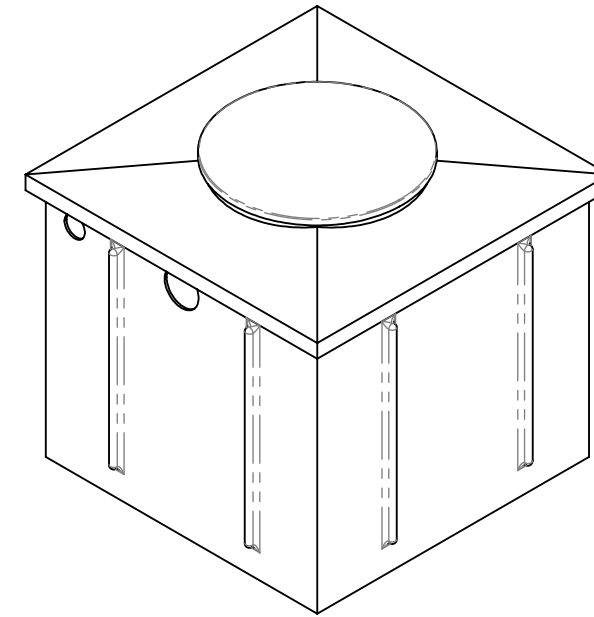
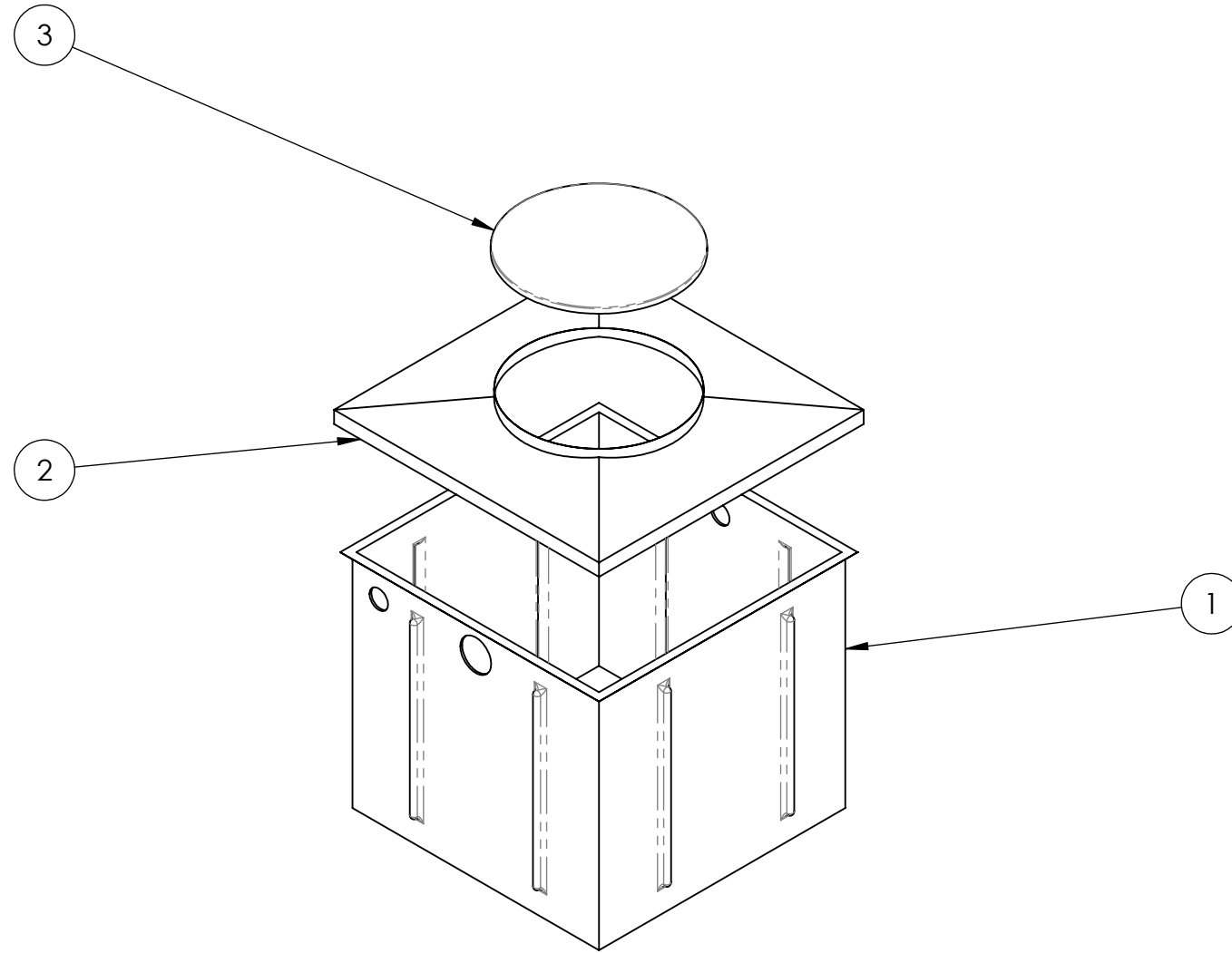
4

3

2

1

| ITEM NO. | PART NUMBER | DESCRIPTION | QTY. |
|----------|-------------|-------------|------|
| 1 | | Pump Tank | 1 |
| 2 | | Cover | 1 |
| 3 | | Poly lid | 1 |



200 Gallon Pump Tank

PROPRIETARY AND CONFIDENTIAL
 THE INFORMATION CONTAINED IN THIS DRAWING IS THE SOLE PROPERTY OF <INSERT COMPANY NAME HERE>. ANY REPRODUCTION IN PART OR AS A WHOLE WITHOUT THE WRITTEN PERMISSION OF <INSERT COMPANY NAME HERE> IS PROHIBITED.

| | | | | | |
|-------------|---------|-----------------------------|-----------|------|----------------------------------|
| | | UNLESS OTHERWISE SPECIFIED: | NAME | DATE | TITLE: |
| | | DIMENSIONS ARE IN INCHES | DRAWN | | |
| | | TOLERANCES: | CHECKED | | |
| | | FRACTIONAL ± | ENG APPR. | | |
| | | ANGULAR: MACH ± BEND ± | MFG APPR. | | SIZE DWG. NO. REV |
| | | TWO PLACE DECIMAL ± | Q.A. | | |
| | | THREE PLACE DECIMAL ± | COMMENTS: | | SCALE: 1:20 WEIGHT: SHEET 1 OF 4 |
| NEXT ASSY | USED ON | MATERIAL | | | |
| APPLICATION | | FINISH | | | |
| | | DO NOT SCALE DRAWING | | | |

4

3

2

1

B

B

A

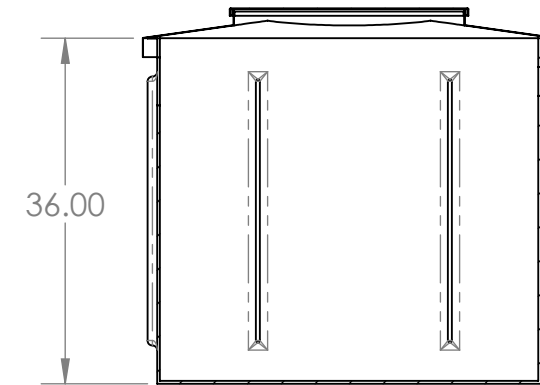
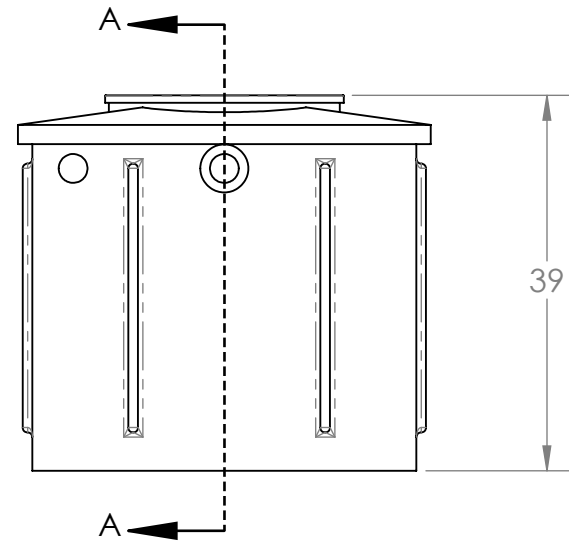
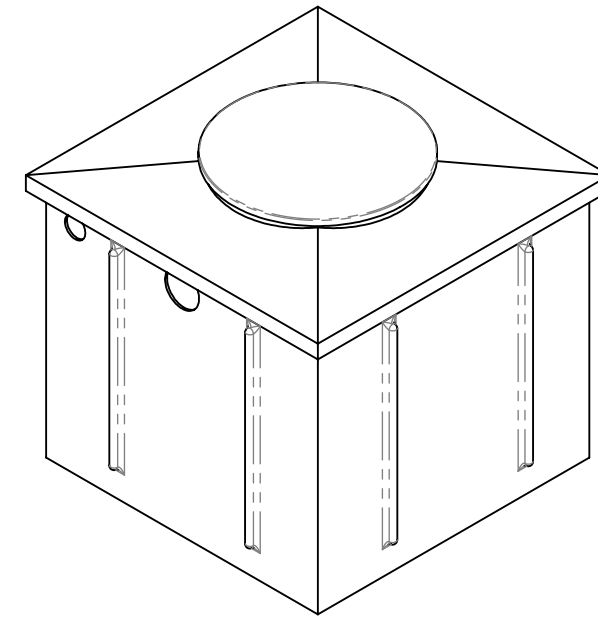
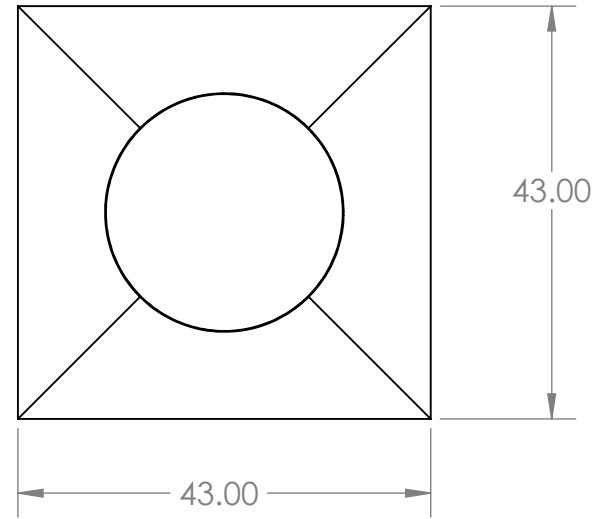
A

4

3

2

1



SECTION A-A

200 Gallon Pump Tank

PROPRIETARY AND CONFIDENTIAL
 THE INFORMATION CONTAINED IN THIS DRAWING IS THE SOLE PROPERTY OF <INSERT COMPANY NAME HERE>. ANY REPRODUCTION IN PART OR AS A WHOLE WITHOUT THE WRITTEN PERMISSION OF <INSERT COMPANY NAME HERE> IS PROHIBITED.

| | | | | | |
|-------------|---------|--|-----------|------|----------------------------------|
| | | UNLESS OTHERWISE SPECIFIED: | NAME | DATE | TITLE: |
| | | DIMENSIONS ARE IN INCHES | DRAWN | | |
| | | TOLERANCES: FRACTIONAL ± | CHECKED | | |
| | | ANGULAR: MACH ± BEND ± TWO PLACE DECIMAL ± THREE PLACE DECIMAL ± | ENG APPR. | | |
| | | INTERPRET GEOMETRIC TOLERANCING PER: | MFG APPR. | | SIZE DWG. NO. REV |
| | | MATERIAL | Q.A. | | |
| NEXT ASSY | USED ON | FINISH | COMMENTS: | | SCALE: 1:20 WEIGHT: SHEET 2 OF 4 |
| APPLICATION | | DO NOT SCALE DRAWING | | | |

SIZE **B** DWG. NO. **200C3PT** REV

4

3

2

1

B

B

A

A

4

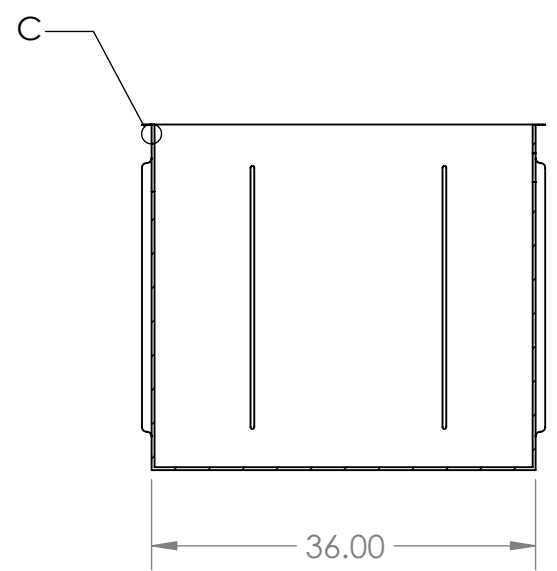
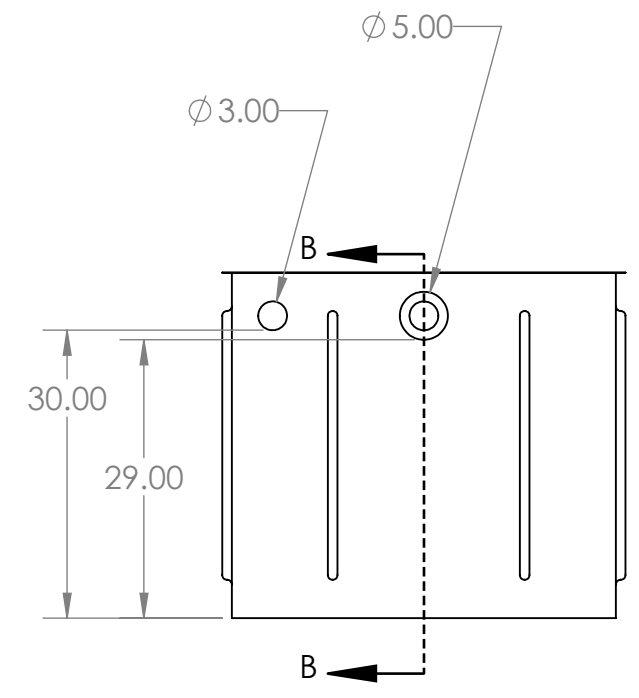
3

2

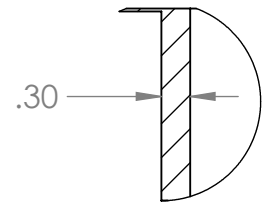
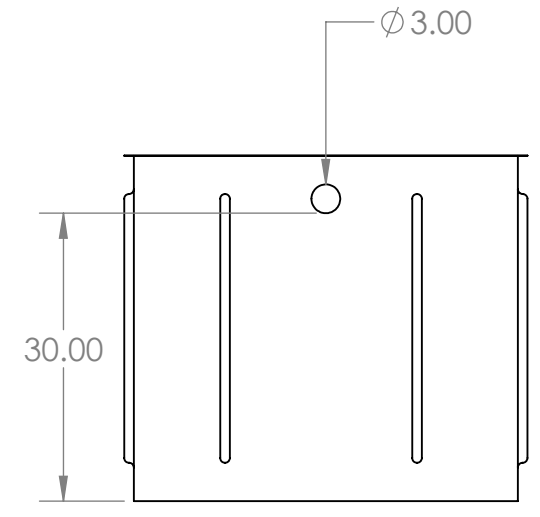
1

B

B



SECTION B-B



DETAIL C
SCALE 1 : 2

200 Gallon Pump Tank

PROPRIETARY AND CONFIDENTIAL
 THE INFORMATION CONTAINED IN THIS DRAWING IS THE SOLE PROPERTY OF <INSERT COMPANY NAME HERE>. ANY REPRODUCTION IN PART OR AS A WHOLE WITHOUT THE WRITTEN PERMISSION OF <INSERT COMPANY NAME HERE> IS PROHIBITED.

| | | | | | | |
|-------------|---------|--------------------------------------|-----------|------|------|----------------------------------|
| | | UNLESS OTHERWISE SPECIFIED: | | NAME | DATE | TITLE: |
| | | DIMENSIONS ARE IN INCHES | DRAWN | | | |
| | | TOLERANCES: | CHECKED | | | |
| | | FRACTIONAL ± | ENG APPR. | | | |
| | | ANGULAR: MACH ± BEND ± | MFG APPR. | | | |
| | | TWO PLACE DECIMAL ± | Q.A. | | | SIZE DWG. NO. REV |
| | | THREE PLACE DECIMAL ± | COMMENTS: | | | |
| | | INTERPRET GEOMETRIC TOLERANCING PER: | | | | SCALE: 1:20 WEIGHT: SHEET 3 OF 4 |
| | | MATERIAL | | | | |
| NEXT ASSY | USED ON | FINISH | | | | |
| APPLICATION | | DO NOT SCALE DRAWING | | | | |

4

3

2

1

A

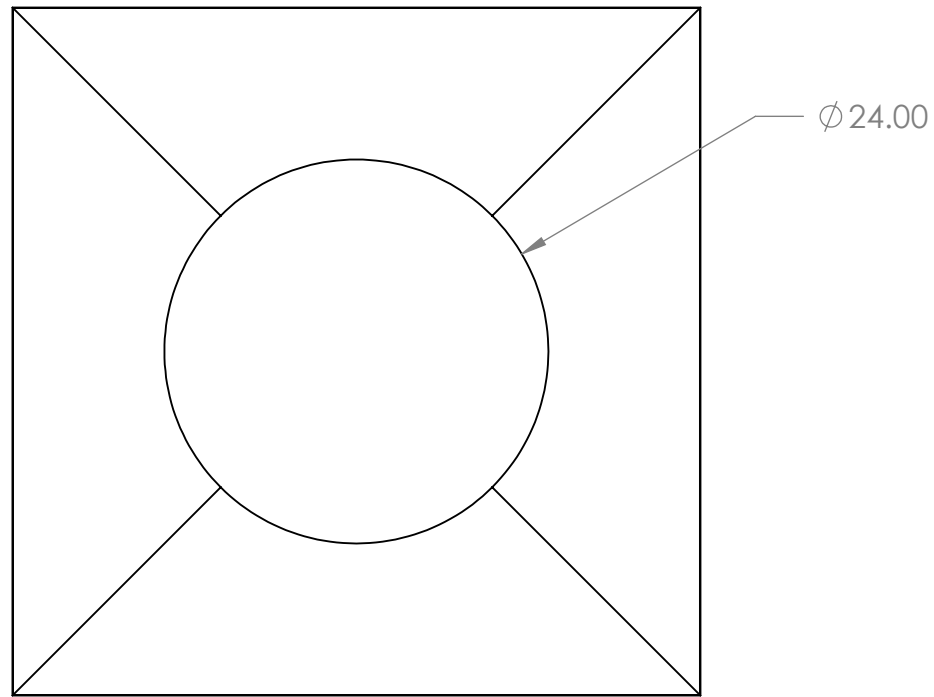
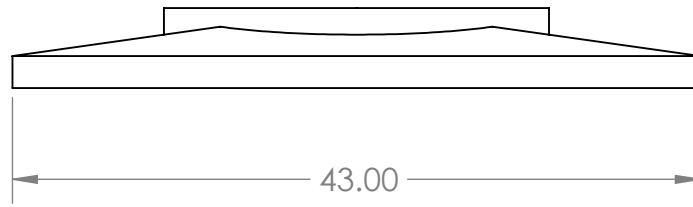
A

4

3

2

1



200 Gallon Pump Tank

PROPRIETARY AND CONFIDENTIAL
 THE INFORMATION CONTAINED IN THIS DRAWING IS THE SOLE PROPERTY OF <INSERT COMPANY NAME HERE>. ANY REPRODUCTION IN PART OR AS A WHOLE WITHOUT THE WRITTEN PERMISSION OF <INSERT COMPANY NAME HERE> IS PROHIBITED.

| | | | | | |
|-------------|---------|--------------------------------------|-----------|------|----------------------------------|
| | | UNLESS OTHERWISE SPECIFIED: | NAME | DATE | TITLE: |
| | | DIMENSIONS ARE IN INCHES | DRAWN | | |
| | | TOLERANCES: | CHECKED | | |
| | | FRACTIONAL ± | ENG APPR. | | |
| | | ANGULAR: MACH ± BEND ± | MFG APPR. | | |
| | | TWO PLACE DECIMAL ± | Q.A. | | SIZE DWG. NO. REV |
| | | THREE PLACE DECIMAL ± | COMMENTS: | | |
| | | INTERPRET GEOMETRIC TOLERANCING PER: | | | SCALE: 1:12 WEIGHT: SHEET 4 OF 4 |
| | | MATERIAL | | | |
| NEXT ASSY | USED ON | FINISH | | | |
| APPLICATION | | DO NOT SCALE DRAWING | | | |

4

3

2

1

B

B

A

A