

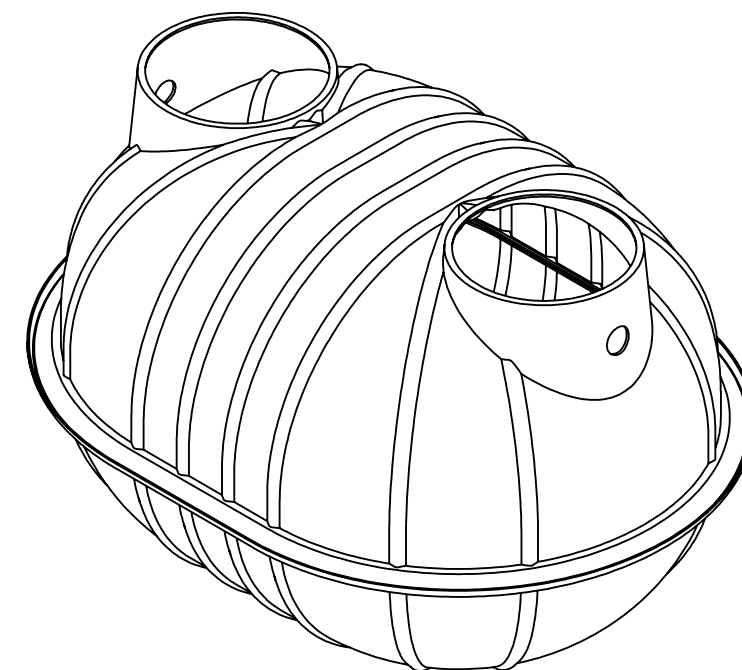
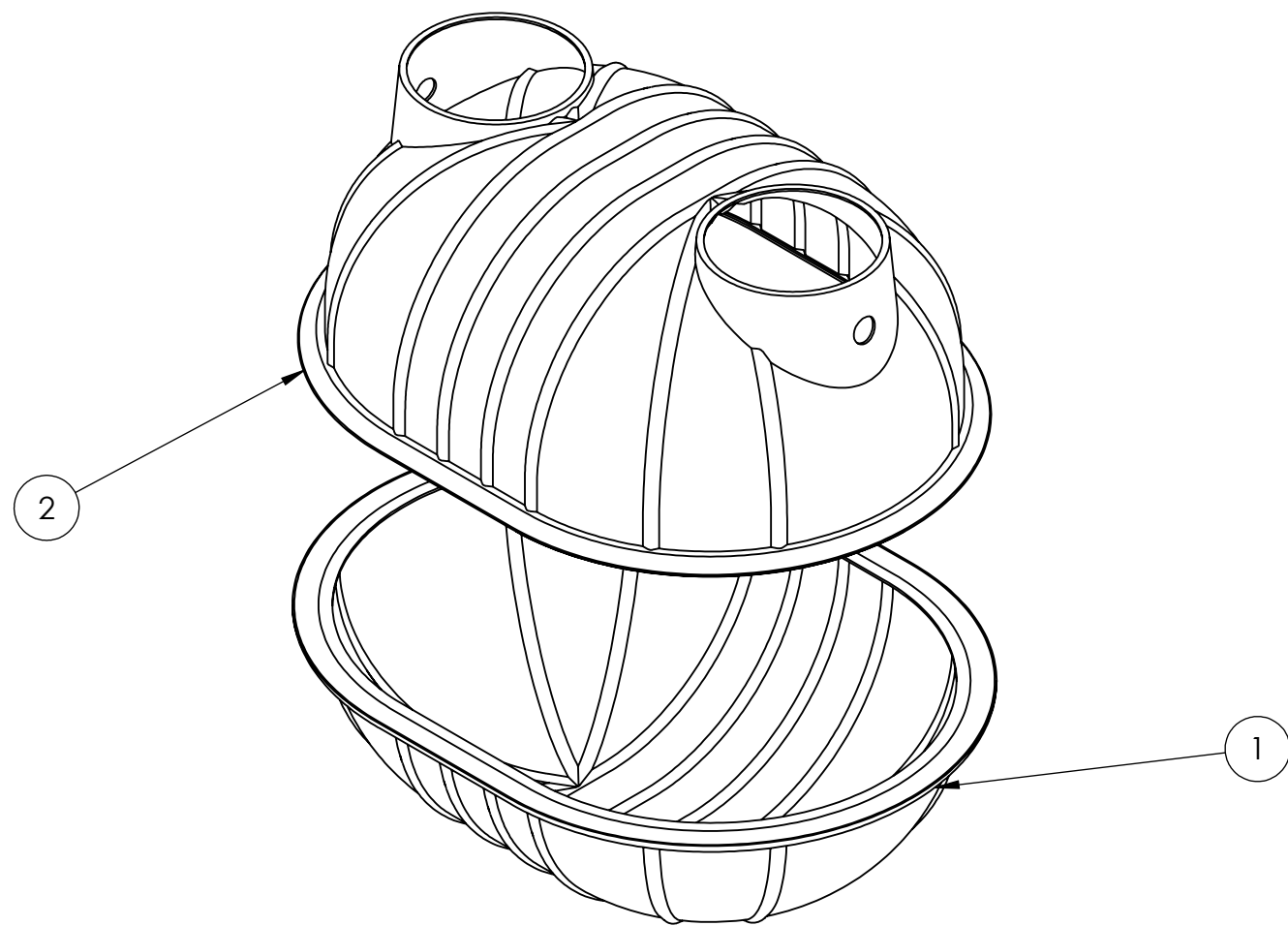
4

3

2

1

ITEM NO.	PART NUMBER	DESCRIPTION	QTY.
1	ALPHA TANK 1050 (BTM)		1
2	ALPHA TANK 1050 (TOP)		1



B

B

A

A

C4= 0.38 thickness
H2O= 0.50 thickness
Baffle: Optional

**PROPRIETARY AND CONFIDENTIAL**  
 THE INFORMATION CONTAINED IN THIS DRAWING IS THE SOLE PROPERTY OF <INSERT COMPANY NAME HERE>. ANY REPRODUCTION IN PART OR AS A WHOLE WITHOUT THE WRITTEN PERMISSION OF <INSERT COMPANY NAME HERE> IS PROHIBITED.

UNLESS OTHERWISE SPECIFIED:		NAME	DATE
DIMENSIONS ARE IN INCHES		DRAWN	
TOLERANCES:		CHECKED	
FRACTIONAL ±		ENG APPR.	
ANGULAR: MACH ± BEND ±		MFG APPR.	
TWO PLACE DECIMAL ±		Q.A.	
THREE PLACE DECIMAL ±		COMMENTS:	
INTERPRET GEOMETRIC TOLERANCING PER:			
MATERIAL			
NEXT ASSY	USED ON		
FINISH			
APPLICATION			
DO NOT SCALE DRAWING			

TITLE:		SIZE	DWG. NO.	REV
		<b>B</b>	<b>1050 Gallon</b>	
SCALE: 1:25		WEIGHT:		SHEET 1 OF 3

4

3

2

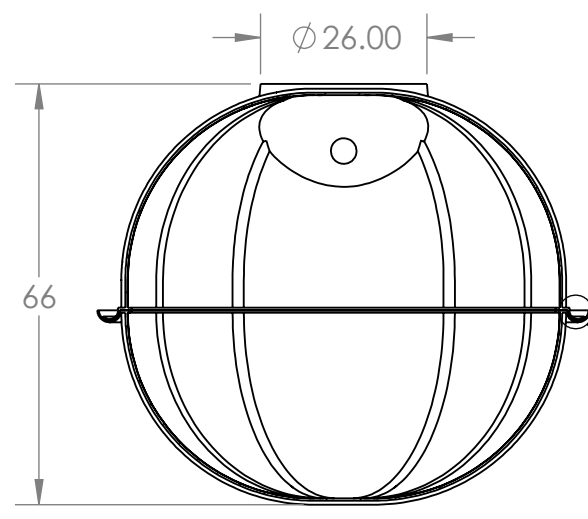
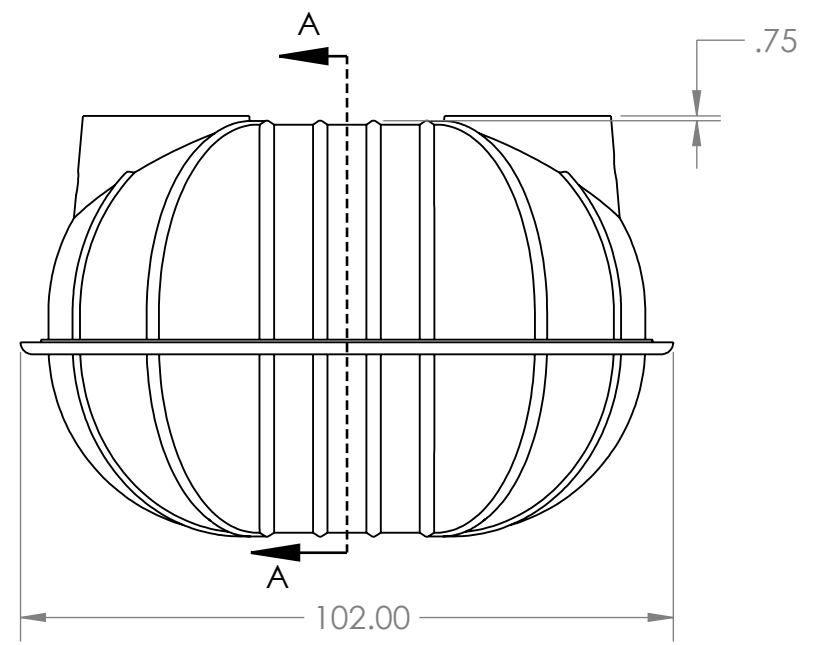
1

4

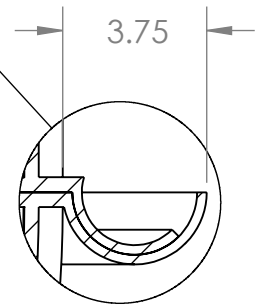
3

2

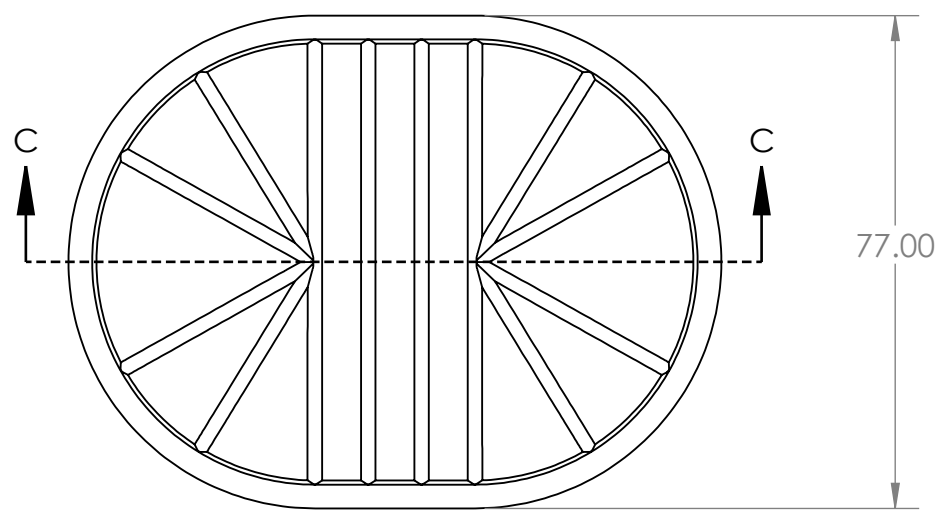
1



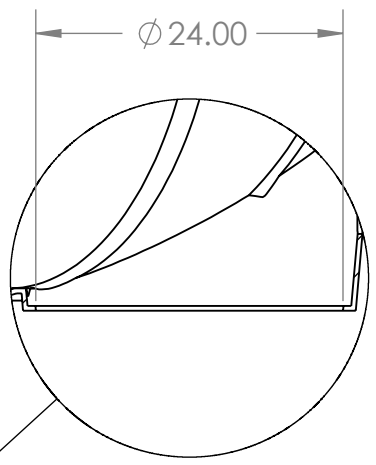
SECTION A-A



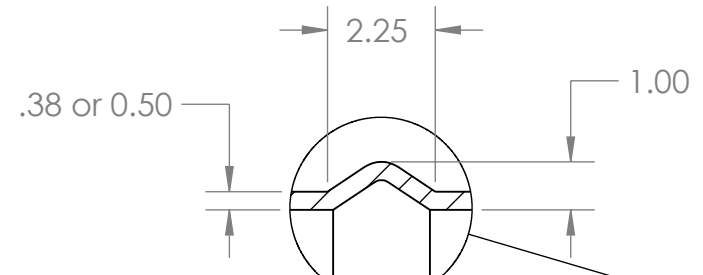
DETAIL B  
SCALE 1 : 5



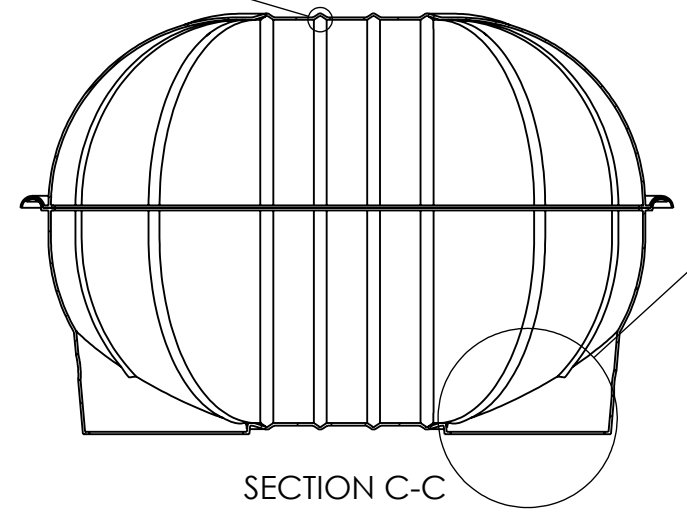
SECTION C-C



DETAIL E  
SCALE 1 : 15



DETAIL D  
SCALE 1 : 4



		UNLESS OTHERWISE SPECIFIED:		NAME	DATE		
		DIMENSIONS ARE IN INCHES		DRAWN		TITLE:	
		TOLERANCES:		CHECKED			
		FRACTIONAL ±		ENG APPR.			
		ANGULAR: MACH ± BEND ±		MFG APPR.			
		TWO PLACE DECIMAL ±		Q.A.			
		THREE PLACE DECIMAL ±		COMMENTS:			
		INTERPRET GEOMETRIC TOLERANCING PER:				SIZE	DWG. NO.
		MATERIAL				<b>B</b>	<b>1050 Gallon</b>
NEXT ASSY	USED ON	FINISH				SCALE: 1:30	WEIGHT:
APPLICATION		DO NOT SCALE DRAWING				SHEET 2 OF 3	
						REV	

4

3

2

1

B

B

A

A

4

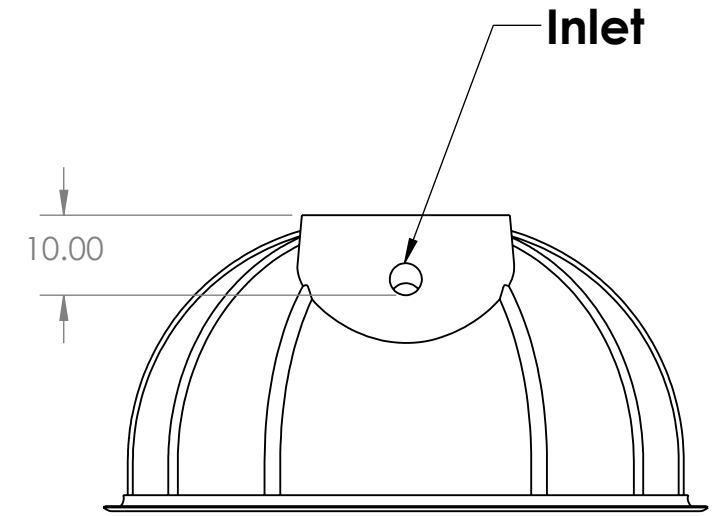
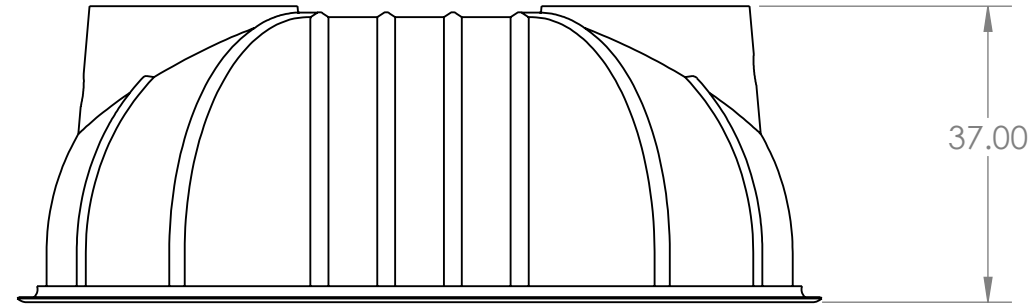
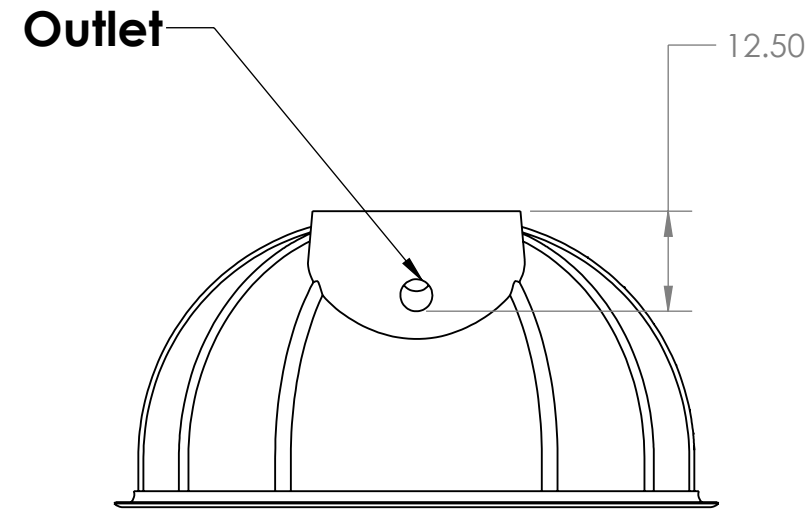
3

2

1

B

B



A

A

**PROPRIETARY AND CONFIDENTIAL**  
 THE INFORMATION CONTAINED IN THIS DRAWING IS THE SOLE PROPERTY OF <INSERT COMPANY NAME HERE>. ANY REPRODUCTION IN PART OR AS A WHOLE WITHOUT THE WRITTEN PERMISSION OF <INSERT COMPANY NAME HERE> IS PROHIBITED.

		UNLESS OTHERWISE SPECIFIED:	NAME	DATE		
		DIMENSIONS ARE IN INCHES	DRAWN		TITLE:	
		TOLERANCES:	CHECKED			
		FRACTIONAL ±	ENG APPR.			
		ANGULAR: MACH ± BEND ±	MFG APPR.			
		TWO PLACE DECIMAL ±	Q.A.		SIZE DWG. NO. REV <b>B 1050 Gallon</b>	
		THREE PLACE DECIMAL ±	COMMENTS:			
		INTERPRET GEOMETRIC TOLERANCING PER:			SCALE: 1:24	WEIGHT:
		MATERIAL			SHEET 3 OF 3	
NEXT ASSY	USED ON	FINISH				
APPLICATION		DO NOT SCALE DRAWING				

4

3

2

1